

Docking bars

To obtain the exact insertion height at the press table, the lifting platform and the press table can be provided with docking bars.

Docking bars

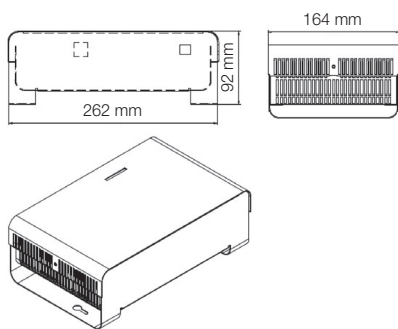
for fixing at the changing cart, L = 1150 mm

Part no. 889130022

Docking bars

for fixing at the machine, L = 576 mm

Part no. 889130023



Extra battery charger E 230 G*

Charging time: 12 h

Code class: IP 21

Part no. 889130025

* USA version on request



Cable remote control

with the functions:

- lifting/lowering
- driving: forwards/backwards
- emergency stop

(Mounting position see drawing on page 2)

Part no. 889130026

