



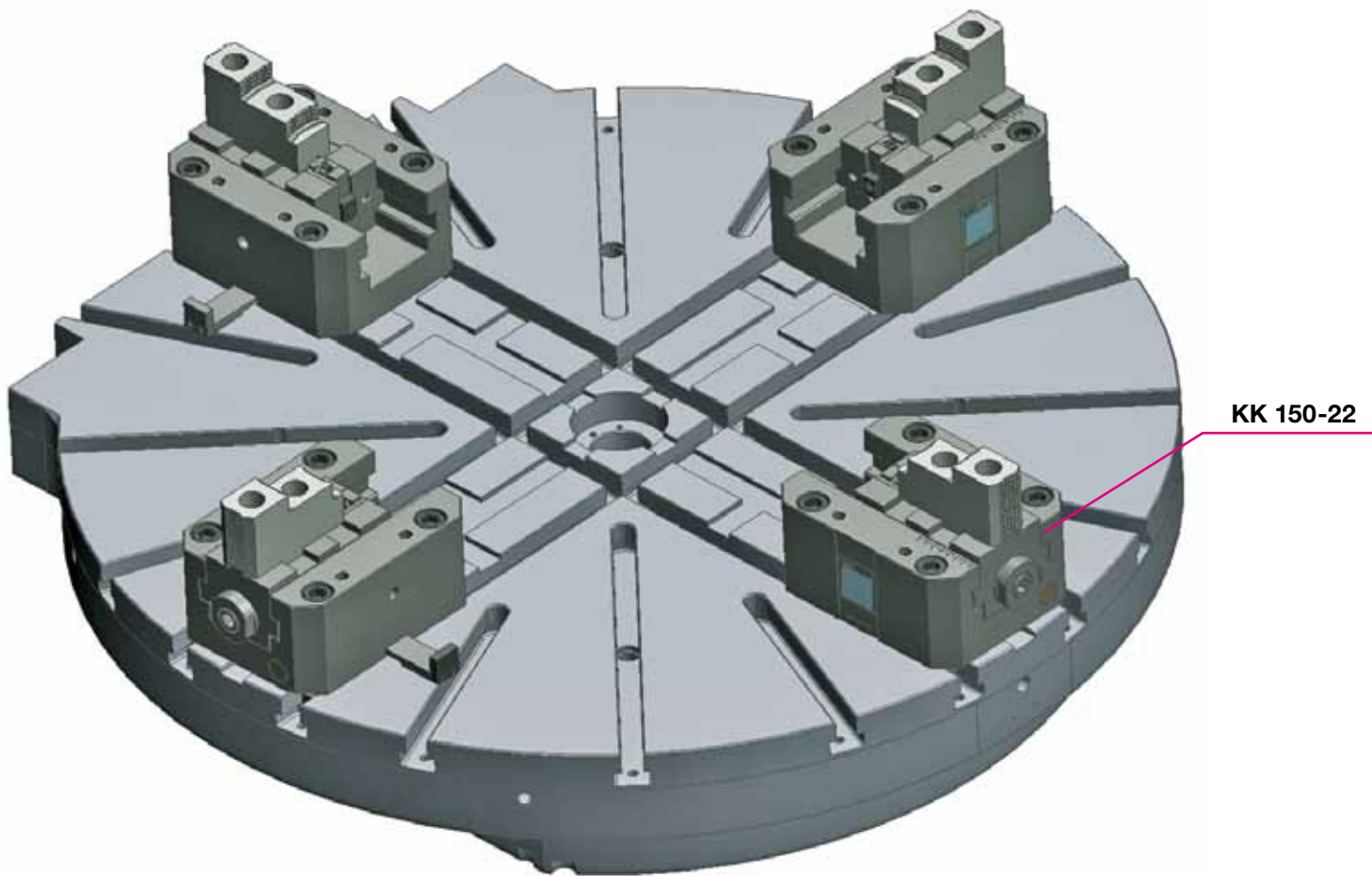
ROEMHELD
HILMA ■ STARK



Workholding Systems

Box jaws

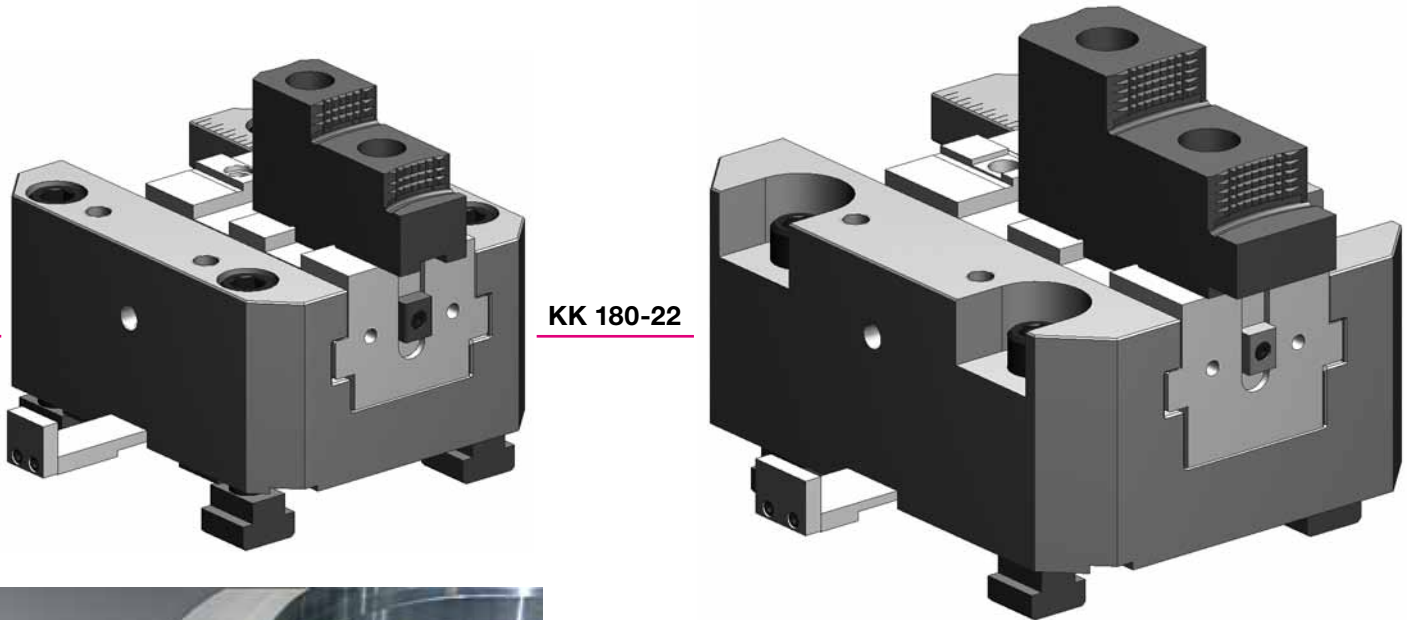
for turning and milling centres



Your benefits at a glance:

- ★ Lead screw and nut are completely encapsulated
- ★ Jaw insert* for direct positioning of the workpiece on the face plate
- ★ Sturdy lead screw running in an almost maintenance-free plain bearing
- ★ Steel base (nitrided)
- ★ Easy preadjustment using a scale

* Special accessory



For holding workpieces in milling and turning centres, HILMA box jaws are the first choice. This new development combines a number of striking advantages compared with the normal level of technology available in the market.

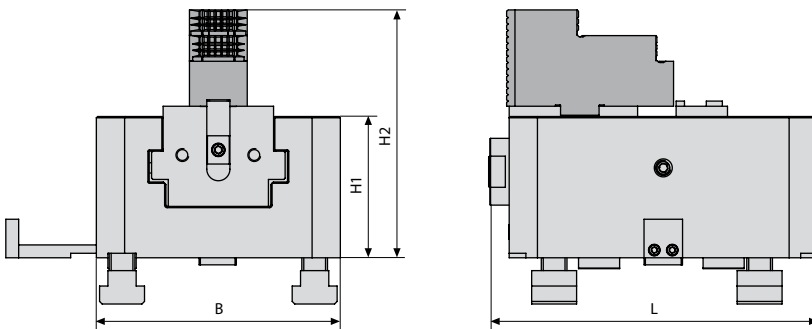
The lead screw and the nut are fully encapsulated for enhancing process safety: This avoids the presence of swarf in the lead screw area and thus wear and subsequent failure of the box jaws.

For a table diameter of approx. 1200 mm and above box jaws are the more economic alternative to jaw chucks. Please request further details without commitment!



Technical data and dimensions

Box jaws series KK, mechanically operated, standard design



Type	KK 150-22	KK 180-22
Part no.	9.2061.0101	9.2062.0101
Clamping force [kN/Nm]	30 / 150	63 / 400
Slot width [mm]	22	22
Slot spacing/ track [mm]	150	180
Max. stroke [mm]	70	82
Clamping jaw, modular displacement [mm]	1 x 60	1 x 82
Width of cross bar [mm]	30 x 7,5	40 x 7,5
Wrench size	SW 14 (hex. socket)	SW 24
Length x width [mm]	255 x 190	331 x 240
Height H 1 [mm]	110	130
Height H 2 [mm]	193	235

Other versions on request

We will be pleased to send more data as a PDF or CAD file. Please contact info@hilma.de

ROEMHELD North America

927 Horan Dr. Fenton, MO 63026
Phone: (636) 386-8022 Fax: (636) 386-8034
E-mail: info@clr.com Website: www.roemheld-usa.com