



Workholding Systems NC

clamping against fixed jaw, hydraulically operated, single acting
 jaw widths 100, 125 and 160 mm



Advantages

- Steel base resistant to deformation
- Hydraulic clamping force build-up
- Hardened and ground guideways
- Extensive range of jaws
- Easy clamping range adjustment by quick socket pin adjustment
- Minimum set-up times
- Tapped hole in the fixed jaw for workpiece stop
- Clamping edge for clamping claws
- Quick cleaning by simple removal of the slide
- Longitudinal and crosswise keyways 20 H7 for quick positioning in accordance with NC requirements
- Different overall lengths for optimum adaptation to the machine table and the machining centre

Technical data

Clamping principle: **clamping against the fixed jaw**

Operation: **hydraulic** with hydraulic power unit

NC 100 H

Jaw width: 100 mm
 Clamping force: 25 kN at 350 bar
 Clamping stroke: 5 mm
 Length of the base: 380 and 540 mm
 Max. jaw opening: 390 and 550 mm

NC 125 H

Jaw width: 125 mm
 Clamping force: 40 kN at 350 bar
 Clamping stroke: 5 mm
 Length of the base: 430, 560 and 720 mm
 Max. jaw opening: 434, 565 and 724 mm

NC 160 H

Jaw width: 160 mm
 Clamping force: 63 kN at 350 bar
 Clamping stroke: 7 mm
 Length of the base: 550 and 750 mm
 Max. jaw opening: 577 and 777 mm

Application

The hydraulically-operated workholding systems NC are advantageously used in vertical machining for die, mould and fixture construction. Their hydraulic operation enables semi-automated use and application in series production.

Accessories

See data sheet WS 1.300Z

- Top jaws
- Clamping and quick-change jaws
- Workpiece stops
- Accessories for fixation

Hydraulic power units and hydraulic pumps

are available on request.

Delivery

- Standard jaws smooth/serrated
- Crank handle for clamping range adjustment

Description

The workholding systems of the series NC can be flexibly and quickly adapted to the most varied clamping ranges because of their socket pin adjustment.

By means of the longitudinal and crosswise keyways 20 H7, the NC can be positioned quickly and in accordance with NC requirements.

Step jaw inserts are available as accessories, to extend the clamping range.

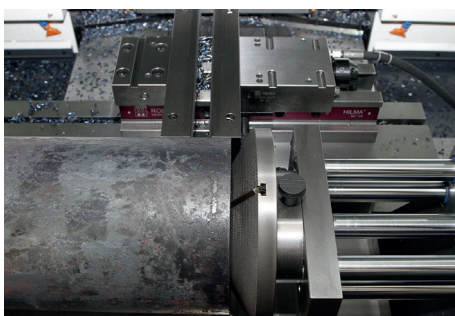
The workholding system can be easily and quickly cleaned by pulling out the socket pin and removing the clamping slide from the base. Thus cost intensive downtimes will be reduced.

Consultation

Our experts will be pleased to advise you also on site, and work with you to find the optimum clamping solution.

Extensive information such as drawings and CAD models are available on request.

Application example



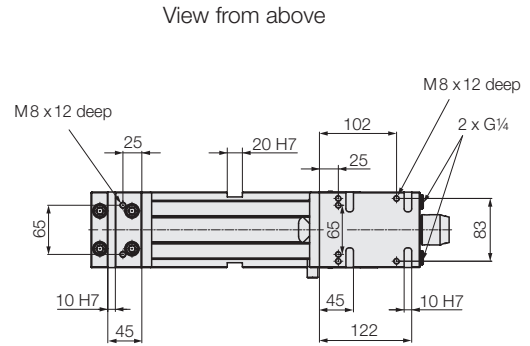
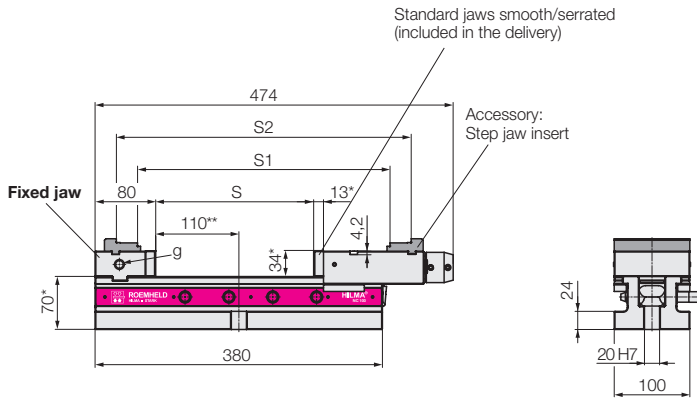
Workholding system NC 125 H

Technical data • Dimensions

NC 100 H

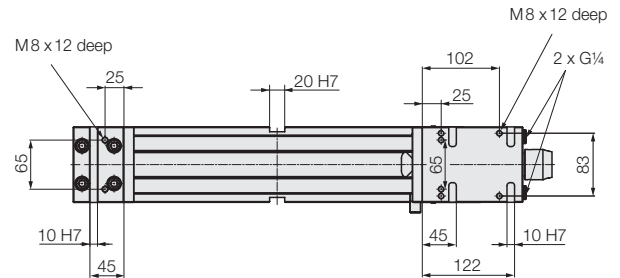
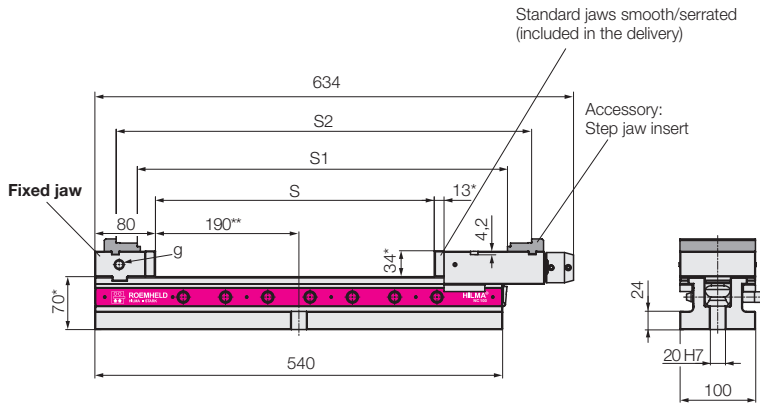
NC 100 H

Length of the base 380 mm



NC 100 H

Length of the base 540 mm



* Tolerance ± 0.01 mm
 ** Tolerance ± 0.02 mm
 All dimensions in [mm]

Series		NC 100 H	NC 100 H
Clamping principle		fixed jaw	fixed jaw
Operation		hydraulic	hydraulic
Clamping force/operating pressure	[kN/bar]	25/350	25/350
Clamping stroke	[mm]	5	5
Clamping range S¹⁾	[mm]	0–209	0–369
Clamping range S1¹⁾	[mm]	125–334	125–494
Clamping range S2¹⁾	[mm]	181–390	181–550
Length of the base	[mm]	380	540
g on both sides	[mm]	M12x18	M12x18
Weight with clamping jaws	[kg]	18.5	24.7
Part no.		930820203	930820303

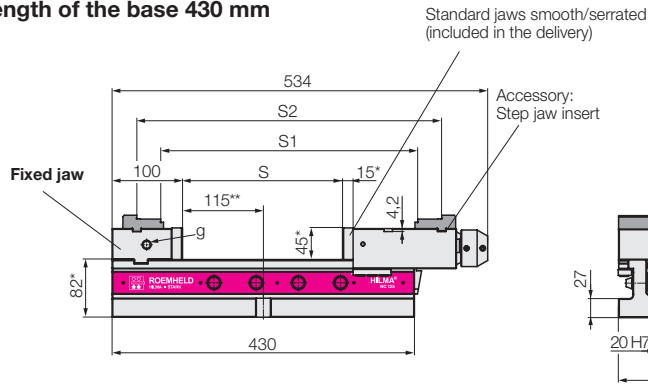
¹⁾ with the clamping jaws shown. Further clamping jaws and accessories on data sheet WS 1.300Z.

Technical data • Dimensions

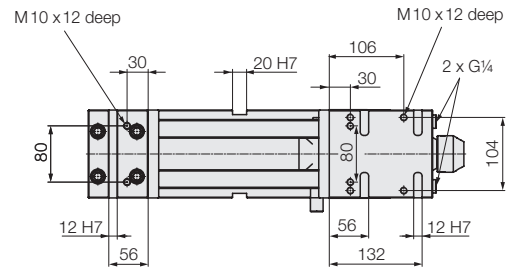
NC 125 H

NC 125 H

Length of the base 430 mm

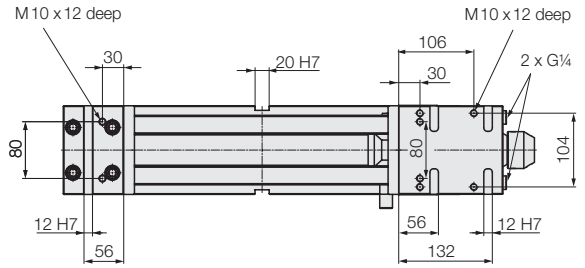
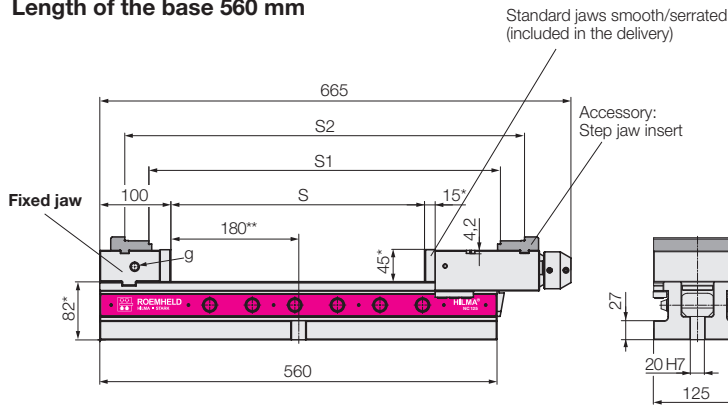


View from above



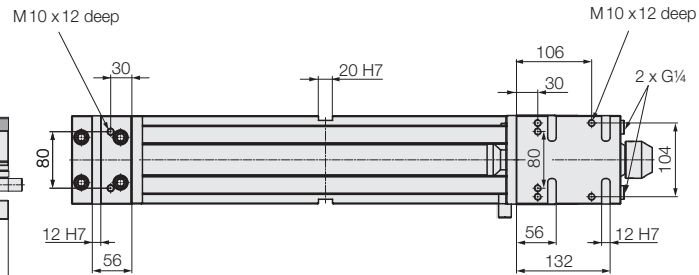
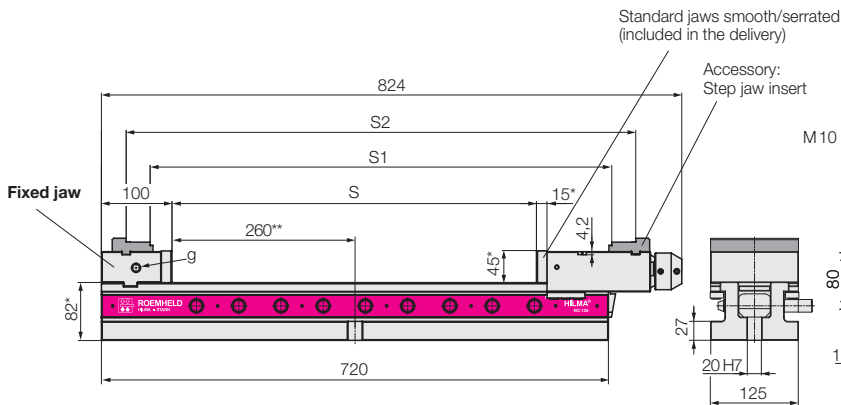
NC 125 H

Length of the base 560 mm



NC 125 H

Length of the base 720 mm



* Tolerance ±0.01 mm
** Tolerance ±0.02 mm
All dimensions in [mm]

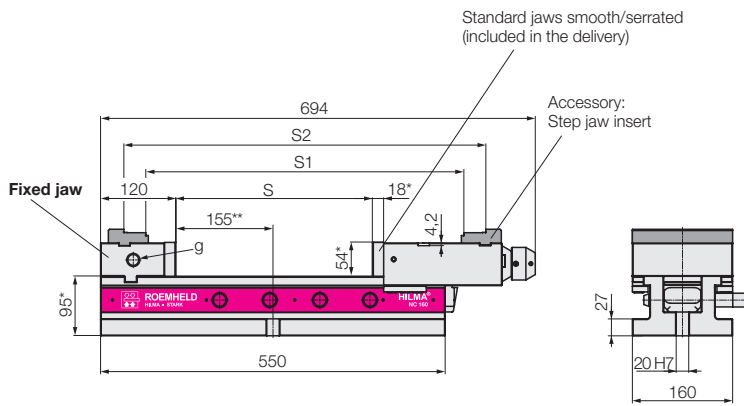
Series		NC 125 H	NC 125 H	NC 125 H
Clamping principle		fixed jaw	fixed jaw	fixed jaw
Operation		hydraulic	hydraulic	hydraulic
Clamping force/operating pressure	[kN/bar]	40/350	40/350	40/350
Clamping stroke	[mm]	5	5	5
Clamping range S ¹⁾	[mm]	0–228	0–358	0–518
Clamping range S1 ¹⁾	[mm]	138–366	138–496	138–656
Clamping range S2 ¹⁾	[mm]	206–434	206–564	206–724
Length of the base	[mm]	430	560	720
g on both sides	[mm]	M12x18	M12x18	M12x18
Weight with clamping jaws	[kg]	31.5	40.1	47.7
Part no.		930830203	930830303	930830403

¹⁾ with the clamping jaws shown. Further clamping jaws and accessories on data sheet WS 1.300Z.

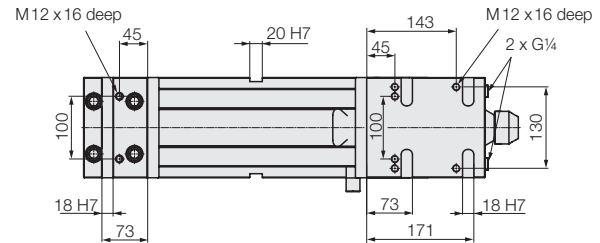
Technical data • Dimensions

NC 160 H

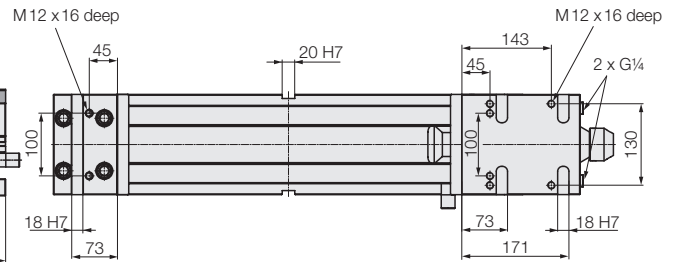
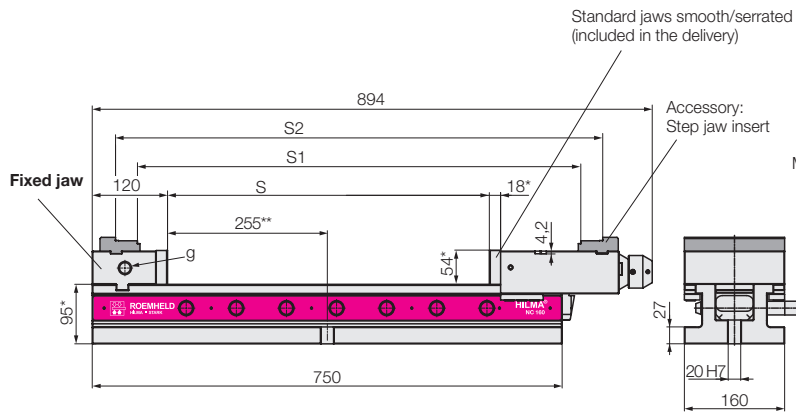
NC 160 H Length of the base 550 mm



View from above



NC 160 H Length of the base 750 mm



* Tolerance ± 0.01 mm
** Tolerance ± 0.02 mm
All dimensions in [mm]

Series	NC 160 H	NC 160 H
Clamping principle	fixed jaw	fixed jaw
Operation	hydraulic	hydraulic
Clamping force/operating pressure [kN/bar]	63/350	63/350
Clamping stroke [mm]	7	7
Clamping range S ¹⁾ [mm]	0–313	0–513
Clamping range S1 ¹⁾ [mm]	194–507	194–707
Clamping range S2 ¹⁾ [mm]	264–577	264–777
Length of the base [mm]	550	750
g on both sides [mm]	M20x27	M20x27
Weight with clamping jaws [kg]	58.5	75.1
Part no.	930840203	930840303

¹⁾ with the clamping jaws shown. Further clamping jaws and accessories on data sheet WS 1.300Z.