

Base Plates for *modulog* lifting modules

M 8.100

Issue 11-13 E



Base plate 500 x 500 mm

Advantages

- *modulog* interface
- Increased stability
- Installation possible on many sub-floors
- Simple mounting

Application

Base plates are primarily used with lifting modules. They are screwed to the lifting module and the floor to get a larger support surface and an increased stability of the lifting module. The use of base plates is especially recommended for uneven sub-floors and high moment loads.

Material

Steel, black oxide

For lifting modules:

- Basic
- Shop-Floor
- Strong

modulog Base plate

Part-no. 631X-XXX



Combinable with the module

- Lifting modules as per data sheet M 4.XXX



modulog interface

- 200 x 200 - M10

Important note!

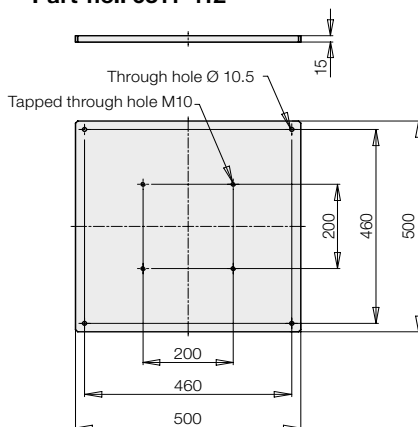
The fixing screws M10 are not included in our delivery.

Application example

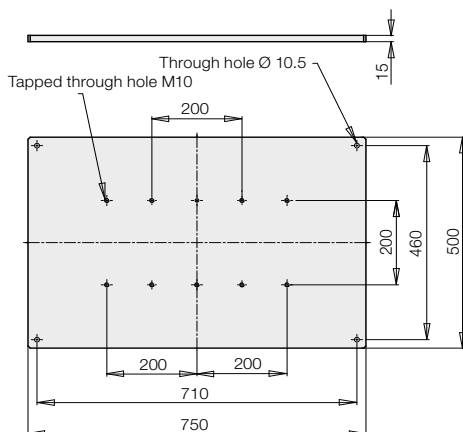


Lifting module Shop-Floor with base plate

Base plate 500 x 500 mm with simple interface 200 x 200 Part-no.: 6311-412



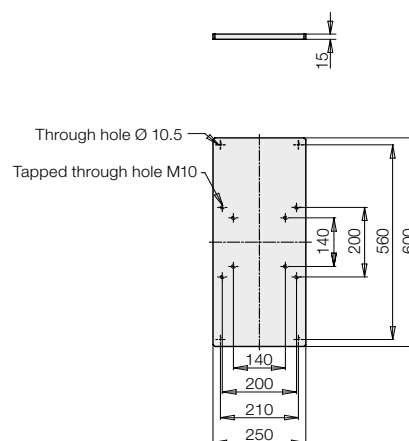
Base plate 750 x 500 mm with simple and double interface 200 x 200 Part-no.: 6311-460



For lifting modules:

- Basic
- Range
- Shop-Floor
- Strong
- Twin-Strong
- Shop-Floor Teleskop

Base plate 600 x 250 mm with simple interface 200 x 200 Part-no.: 6312-161



For lifting modules:

- Basic
- Shop-Floor



ROEMHELD
HILMA ■ STARK

Subject to change.

Carr Lane Roemheld Mfg. Co.

Sales — Phone (636) 386-8022 Fax (636) 386-8034

Engineering — Phone 1-800-827-2526 Web roemheld-usa.com