

Lifting Module Range

Max. lifting force 6,000 N, stroke from 440 to 940 mm, electro-mechanical telescope version

M 4.203

Issue 9-16 E



Advantages

- Low basic height
- Good accessibility
- Very high flexibility
- Improved productivity
- Simple integration
- Optimised ergonomics
- Simple operation

Application

Double telescopic lifting module for workshop applications in the industry.

Principal use

- Automation
- Drive technology, gears box assembly
- Couplings, cardan shafts
- Compressors, pumps, hydraulic elements
- Industrial fittings
- Materials-handling technology
- Automotive industry and their suppliers
- Mechanical engineering
- Building and agricultural machines
- Electronics

Fixing and installation

For fixing of modulog modules or other components of the user at the top plate, the lifting module has an interface 140 x 140.

The bottom plate with double interface 200 x 200 is used to fix the lifting module on the flat level floor.

For fixing, 6 screws M10 of property class 10.9 as well as heavy-duty plugs are to be used.

For increased stability, a base plate, which can be mounted to the bottom plate, is available as accessory. Fixing on the floor is made by means of the base plate.

Description

The drive of the telescopic lifting module Range consists of a 230V.A.C. motor and a spindle drive with trapezoidal spindle.

A motor brake in combination with the trapezoidal spindle guarantees safe holding of the driven position.

The telescopic guide unit consists of a precise aluminium profile section with a pre-stressed plain bearing with low friction and without clearance for exact positioning.

The compact construction with low height and small width guarantees an unhindered accessibility to the workpiece from all sides.

Mechanical and electric interfaces can be easily integrated in the process of automation.

Operation

The operation is made by hand panel or foot switch or alternatively by a primary electric control.

Lifting and lowering is triggered by push-buttons with touch control contact. After release of the push-button, the motion will be immediately stopped.

Material

Lifting profile:	aluminium, naturally anodised
Top and bottom plate:	aluminium, black anodised
Protection cap:	steel, black-lacquered

modulog

Lifting module



Part no. 8924-02-XX-E

Technical data

Max. lifting force:	2,000 N
Max. torque:	500 Nm
Stroke:	440 to 940 mm

Operations

- Foot switch
- Hand panel



Combinable with the modules

- Rotating module – horizontal axis
DMH 200 as per data sheet M 1.101,
DMHe 200 as per data sheet M 1.201



- Rotating module – vertical axis
DMV 600 as per data sheet M 1.301,
DMVe 600 as per data sheet M 1.201



- Tilting modules
KMB 100 as per data sheet M 2.101
KME 100 as per data sheet M 2.201



modulog interfaces

- Top plate: 140 x 140 - Ø 10.5 mm
- Bottom plate: 200 x 200 - Ø 10.5 mm

Accessories

- Electrical operating elements
as per data sheet M 8.203
- Mains cable 230 VAC
see page 2
- Base and adaptor plates
as per data sheet M 8.100 and M 8.110
- Table plates
as per data sheet M 8.130 and M 8.131



ROEMHELD
HILMA ■ STARK

Subject to change.

Carr Lane Roemheld Mfg. Co.

Sales — Phone (636) 386-8022 Fax (636) 386-8034

Engineering — Phone 1-800-827-2526 Web roemheld-usa.com

Technical data dimensions • accessories

Technical data

Lifting speed	70 mm/s
Electric connection	1/PE (230 VAC/50 Hz)
Rating	0.75 kW
Control voltage	24 VDC
Duty cycle	20 % ED
Code class	IP 54

Stroke [mm]	A [mm]	A + stroke [mm]	Weight [kg]
440	470	910	73
540	520	1060	77
740	620	1360	84
940	720	1660	91

Important notes

The lifting module must only be pressure loaded. The centre of gravity should be within the traverse of the fixing screws. If the centre of gravity is outside, the dowelled joint with the floor has to be dimensioned correspondingly. In such cases it is recommended to use a larger base plate. The lifting module is designed for applications within closed rooms. Not suitable for applications with impact load or vibration.

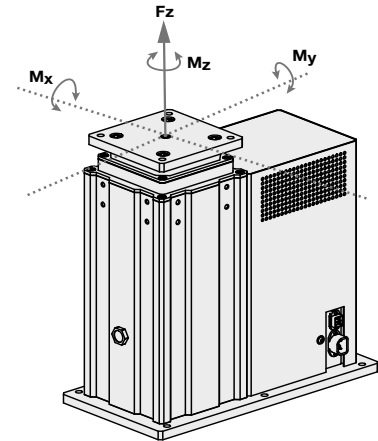
Code for part numbers

Part no. **8924-02-XX-E**

Stroke

44 = 440 mm
54 = 540 mm
74 = 740 mm
94 = 940 mm

Maximum lifting force and maximum admissible torque load



Maximum lifting force F_z : 2,000 N

Maximum torque load

Total M_x/y : 500 Nm
 M_z : 300 Nm

In the case of eccentric loads, it is recommended to compensate these by counterweights. In off-position the indicated maximum torques may occur.

The forces and torques have to be considered by the operator.

During the lifting motion only 50 % of the maximum values are admitted.

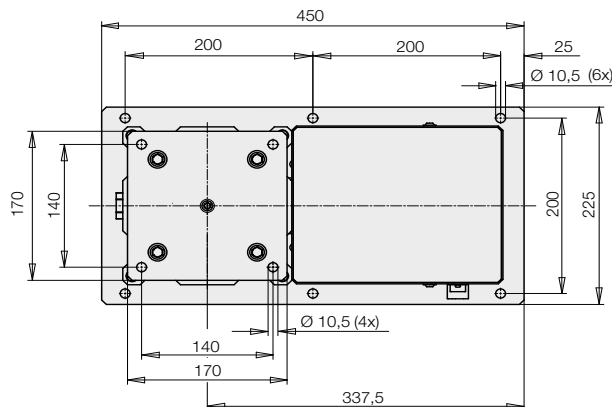
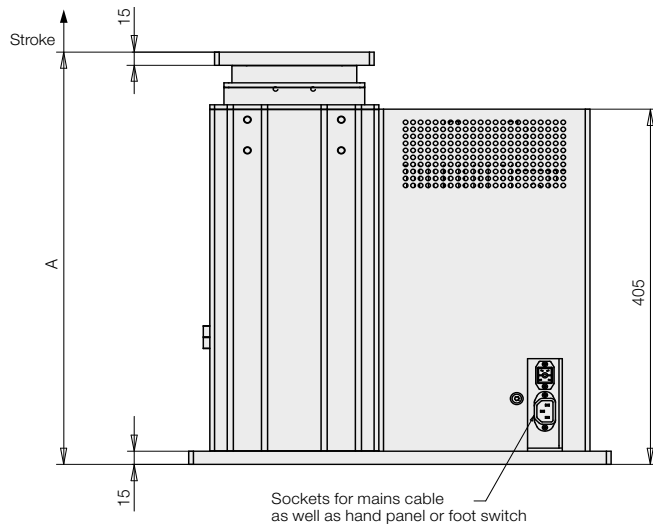
Delivery

The lifting modules are delivered ready for connection. Electrical operating elements and mains cables can be ordered separately as an accessory.

Electrical accessories required for a functional system:

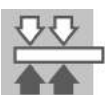
- Hand panels and foot switch as per data sheet M 8.203
- Mains cable 230 VAC
Mains cable, smooth with earthing type plug, 3 m
Part no. 3829-202

Dimensions



Accessories

Base plate for increased stability as per data sheet M 8.100



ROEMHELD
HILMA ■ STARK

Subject to change.

Carr Lane Roemheld Mfg. Co.

Sales — Phone (636) 386-8022 Fax (636) 386-8034

Engineering — Phone 1-800-827-2526 Web roemheld-usa.com