



Die Changing Carts RWA with Electric Drive with electro-hydraulic lifting platform, die changing table and hydraulic ball bars, max. load capacity 1600 kg



Advantages

- Safe and gentle die transport of heavy dies
- Time-saving die change
- Integrated die changing table with hydraulic ball bars
- High safety by docking bars and lowerable ball bars
- Protection against falling down of dies by inserted and secured side bars
- Simple and central operation with multi-functional drawbar
- Multi-function display on the drawbar
- Robust vehicle technology
- Modular design with standard drive

Application

The die changing cart RWA is used for the transport and the change of pressing and punching dies as well as injection and casting moulds up to a weight of 1600 kg.

Description

The die changing cart RWA is an electrically driven walking and lifting cart, especially equipped for the transport and the change of dies.

The electro-hydraulic lifting platform is designed as die changing table with integrated hydraulic ball bars, which facilitate the manual insertion of the dies onto the press table.

During the transport, the balls are always lowered and the die is protected against movement.

A safety circuit ensures that the die changing cart can only be displaced with lowered ball bars.

In addition, the die is secured on the lifting platform by insertable front safety bars or side bars.

For the transfer of the die to the press, the lifting platform is equipped with a protrusion.

Versions

The die changing cart RWA is available with 4, 6 or 8 ball bars and with different table sizes.

Power supply

The power supply of the electric drive, the lifting platform and the ball bars is made via an installed battery 24 V DC with 240 Ah.

This battery can be completely charged with the battery charger included in the delivery within 12 hours.

Automatic slow driving at low battery status as well as automatic lift cutout in the case of further discharge.

The maximum running performance is approximately 3 hours at full load.

Option

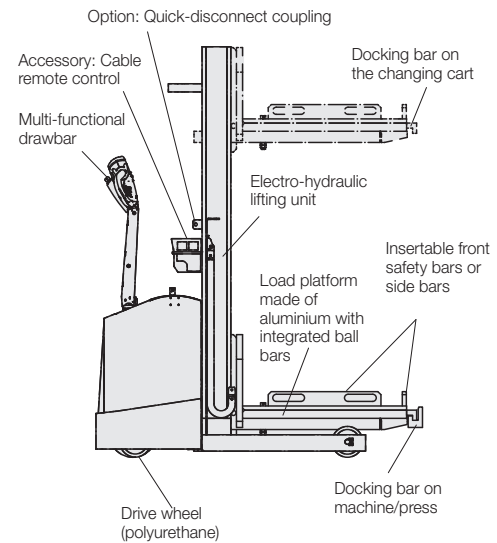
Die changing cart with quick-disconnect coupling for external ball or roller bars

The die changing cart RWA can optionally be equipped with an additional hydraulic control circuit with quick-disconnect coupling for the operation of the hydraulic ball and roller bars in the press table.

The operating pressure is 80 bar.



Quick-disconnect coupling



Operation

The operation of the die changing cart RWA is completely made at the multi-functional drawbar.

- Rotary switch for continuous and sensitive driving (speed control)
- Toggle switch for reduced speed 2.0 km/h
- Push-button for driving with reduced speed and vertical drawbar position
- Steering (by drawbar)
- Slide switch for sensitive lifting and lowering of the lifting platform
- Push-button for lifting/lowering of the balls (as an option)
- Signal horn and key switch
- Main current safety switch (EMERGENCY STOP)

Multi-functional display

for display of

- battery status and operating hours
- maintenance intervals and error messages

Versions as per customer's request

- Roller bars instead of ball bars
- Ball or roller distance
- Dimensions of the lifting platform
- Radio remote control

Please contact us.

Accessories

see page 3

Technical data Dimensions

Technical data

Max. die weight	[kg]	1600
Platform size	[mm]	1150 x 800*
Lifting range	[mm]	250 – 1650
Stroke of the ball bars	[mm]	2
Max. lifting force / bar	[kN]	8.8
Load capacity at the load centre of gravity 400/ 600 mm	[kg]	1600 / 600
Ball spacing	[mm]	76
Max. driving speed	[km/h]	5
Running performance		approx. 3 h at full load
Empty weight	[kg]	1200

* Individual platform sizes and ball distances on request

Scope of supply:

- Changing cart with built-in battery
 - Battery charger
 - Lifting platform
 - 4, 6 or 8 installed ball bars
 - Insertable side and front bars
 - Battery filling system Aquamatic
- Filling station with electric pump for fast filling of the batteries with water.

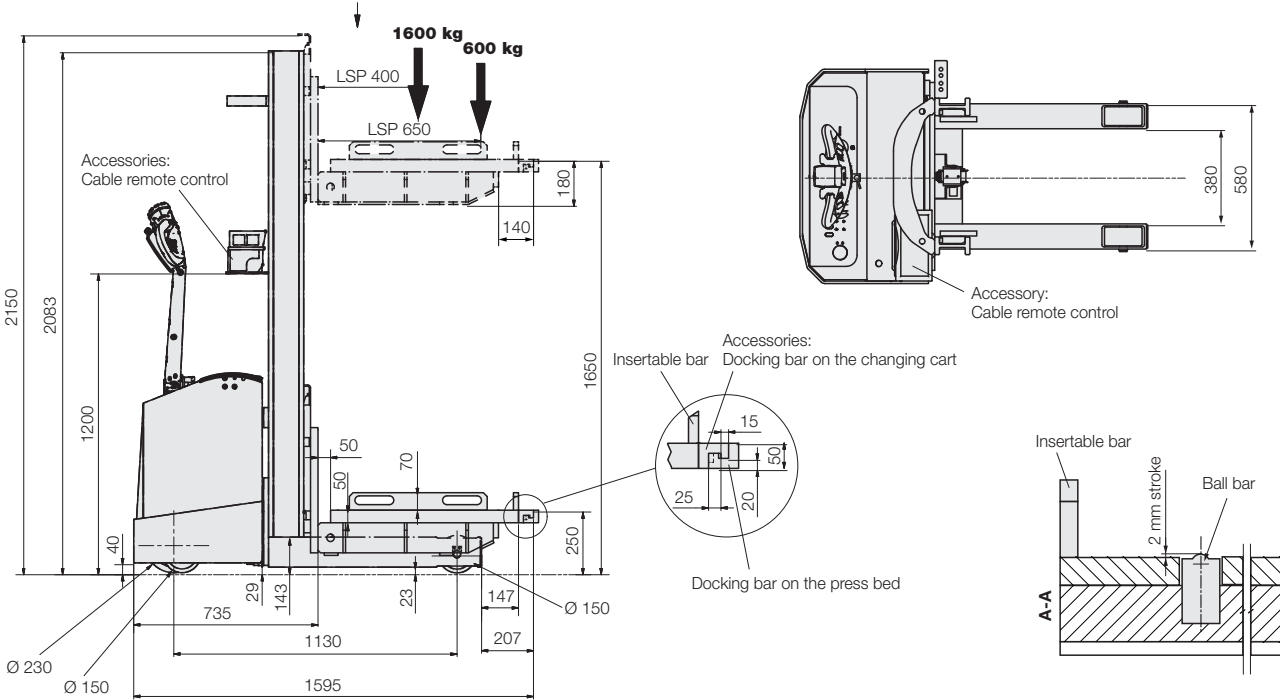
Further accessories and options in addition to the standard scope of delivery see page 3.

Type	RWA 1600/4	RWA 1600/6	RWA 1600/8
Number of ball bars (each 744 mm long)	4	6	8
Part no.	889131600	889131610	889131620

Die changing cart with quick-disconnect coupling

Part no.	889131601	889131611	889131621
----------	-----------	-----------	-----------

Dimensions

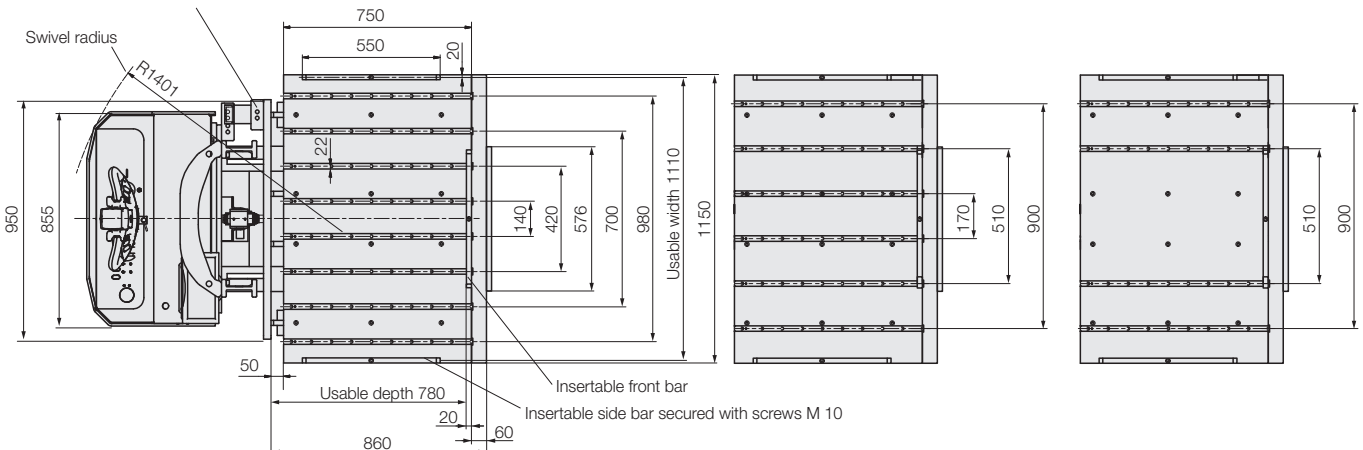


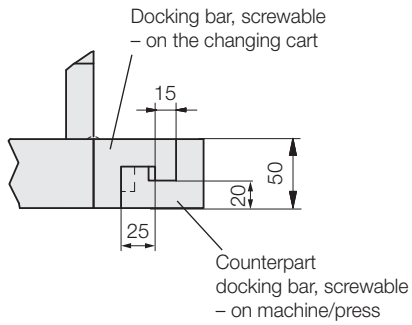
Option: Quick-disconnect coupling for external ball bars

RWA 1600 with 8 hydraulic ball bars

Plate thickness with 6 hydraulic ball bars

Plate thickness with 4 hydraulic ball bars





Docking bars

To obtain the exact insertion height at the press table, the lifting platform and the press table can be provided with docking bars.

Docking bars

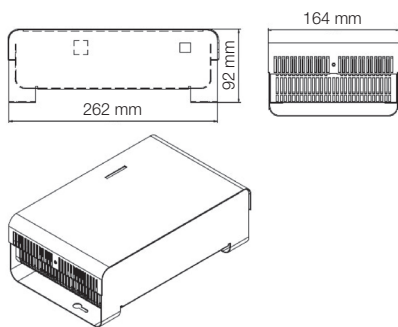
for fixing at the changing cart, L = 1150 mm

Part no. 889130022

Docking bars

for fixing at the machine, L = 576 mm

Part no. 889130023



Extra battery charger E 230 G*

Charging time: 12 h

Code class: IP 21

Part no. 889130025

* USA version on request



Cable remote control

with the functions:

- lifting/lowering
- driving: forwards/backwards
- emergency stop

(Mounting position see drawing on page 2)

Part no. 889130026