



## Die Changing Cart RW

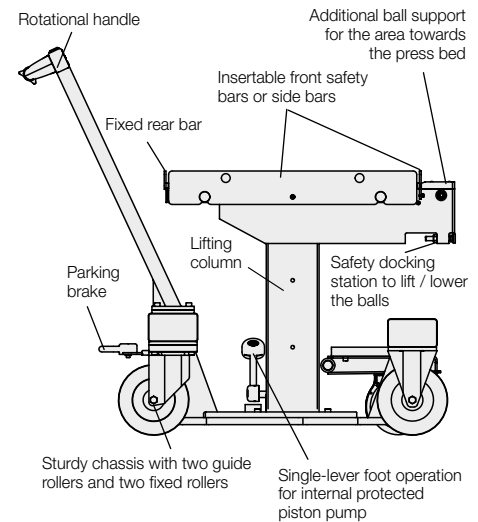
manually movable, with optional auxiliary drive  
 with safety docking station, max. load capacity 500 kg



Figure RW with auxiliary drive

### Advantages

- Time-saving die change
- Material gentle transport
- Highest safety by automatic docking station and anti-slip protection
- Easy movement by optional battery driven auxiliary drive
- Sturdy and scratch-proof ball table with hard-anodized surface
- Documentation and design in compliance with CE standards
- Exact positioning
- Exact height adjustment by precision lowering
- Improved ergonomics for the user
- Protection against falling down of dies by inserted and secured front bar and side bars
- Safe positioning of the cart by pedal parking brake



### Application

Die changing carts RW facilitate the handling of medium-weight dies and enable dies weighing up to 500 kg to be safely transported in an easy and time saving way.

All cart types are especially designed for pressing and punching dies as well as for injection and casting moulds.

### Description

Die changing carts RW are manually moved. For easier movement, the front axle can optionally be equipped with a battery driven auxiliary drive.

The die changing table is equipped with ball inserts which facilitate the manual insertion of the dies. During the transport, the ball inserts are lowered and the die is protected against movement. In addition, the die is secured against falling down by safety bars at all sides of the die changing table.

The die changing table can be adjusted in height by a hydraulic lifting column with single-lever foot operation.

For transport, the centre of gravity of the load must be positioned in the centre of the cart and the lifting columns must be completely lowered.

### Safety docking station

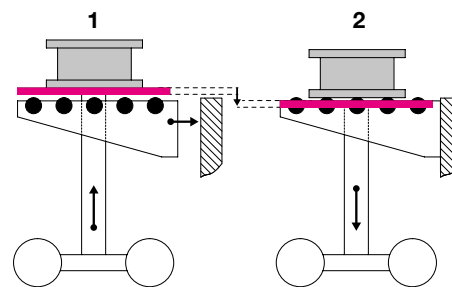
During the transport of the die, the balls are always lowered and the die is protected against movement. Lifting of the ball inserts is made by successful docking to the press bed. The die weight is supported at the press bed.

#### 1. Transport

- Lifting column extended
- Ball inserts lowered
- Die on table plate

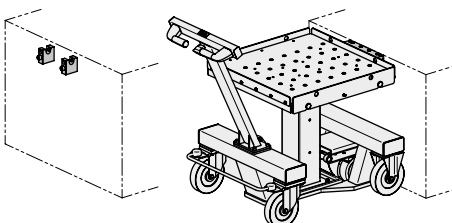
#### 2. Docking

- Lifting column lowered
- Ball inserts lifted
- Die on ball inserts



Version with safety docking station and ball table

### Docking situation



### Versions

The die changing cart RWA is available in 2 table sizes and 3 stroke ranges. Every version can optionally be equipped with an auxiliary drive.

### Option - auxiliary drive

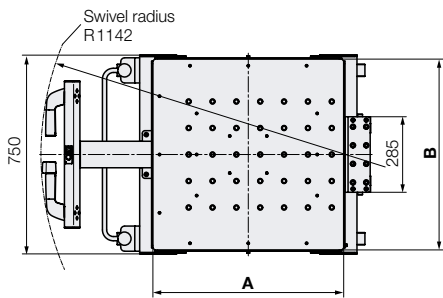
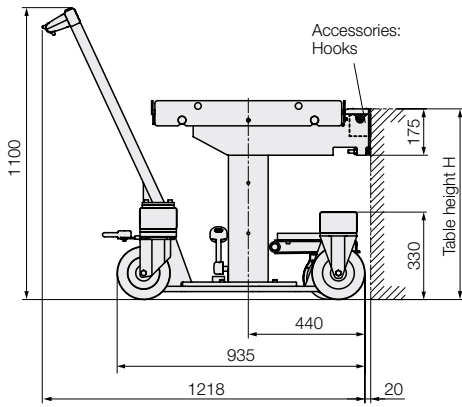
All elements of the auxiliary drive are integrated in the front axle: the electric motor including gear, long-life batteries with high energy density and a power control for optimum control of the motor.

The rotational handle consists of two solid handles, speed and direction of the drive can be controlled by means of a lever at the right handle.

An integrated level compensation ensures an optimum contact pressure of the drive wheel on the hall floor.

A covering protects the drive against shocks and splash water. The high drive torque of the electric motor (17 Nm / 20 da N) facilitates considerably the movement of the changing cart.

## Technical data Dimensions



### Technical data

Max. load capacity: 500 kg

#### Table sizes

Version	1	2
<b>Length A x width B</b> [mm]	<b>720 x 720</b>	<b>720 x 450</b>

#### Lifting range

Version	1	2	3
<b>Total stroke</b> [mm]	<b>200</b>	<b>300</b>	<b>400</b>
Usable stroke [mm]	140	240	340
Min. table height H [mm]	540	620	720
Max. table height H [mm]	680	860	1060

### Technical data auxiliary drive

Running performance [km]	2 with full load (5 with average load)
Displacement speed [km/h]	3
Charging time (approx. 90%) [h]	1.5 to 3 (depending on the battery charger)
Battery	24 V DC, Ni-MH, 140 Wh (6 Ah)

### Part numbers

Table size [mm]	Total stroke [mm]	Auxiliary drive	Part numbers
720 x 720	200	without	<b>889130100</b>
720 x 720	300	without	<b>889130101</b>
720 x 720	400	without	<b>889130102</b>
720 x 450	200	without	<b>889130103</b>
720 x 450	300	without	<b>889130104</b>
720 x 450	400	without	<b>889130105</b>
720 x 720	200	with	<b>889130106 X</b>
720 x 720	300	with	<b>889130107 X</b>
720 x 720	400	with	<b>889130108 X</b>
720 x 450	200	with	<b>889130109 X</b>
720 x 450	300	with	<b>889130110 X</b>
720 x 450	400	with	<b>889130111 X</b>

#### Selection battery charger

Standard 1.8 A = **S**

Quick 4.0 A = **Q**

### Delivery

One set (2 off) of hooks is included in the delivery of the die changing cart; the hooks can also be ordered as an accessory.

The versions with auxiliary drive are delivered with a battery charger. You can choose between between **type S** or **type Q**. Both battery charges can be ordered as an accessory.

### Accessories

#### Battery chargers

##### Type S = Standard 1.8 A

100 ... 230 VAC, 50/60 Hz  
Charging time 3 h (approx. 90%)

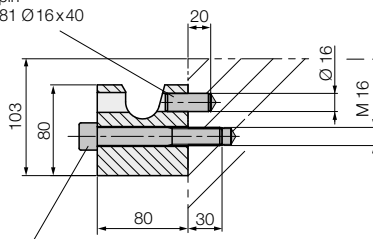
**Part no. 789130013**

##### Hooks (1 set = 2 off)

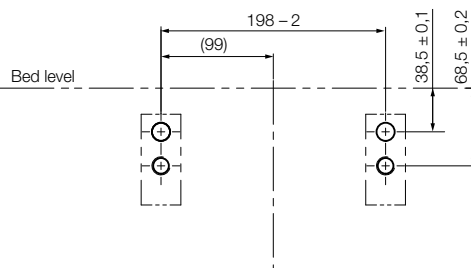
to position and lock the die changing cart

**Part no. 789130001**

Dowel pin  
DIN 1481 Ø16x40



Socket head cap screw  
DIN 912-M 16 x 110 - 8.8  
Ma = 120 Nm



Dimensions are valid for the infeed height of the die  
1.5 mm above the machine table