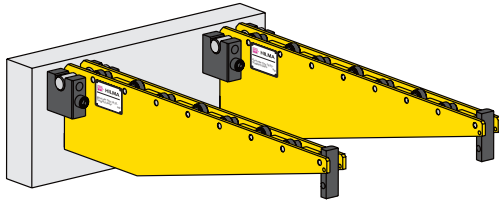


## Carrying consoles for easy and efficient die change on the press bed



**ROEMHELD**  
HILMA ■ STARK



Color: RAL 1004, golden yellow

### Carrying console, hanging

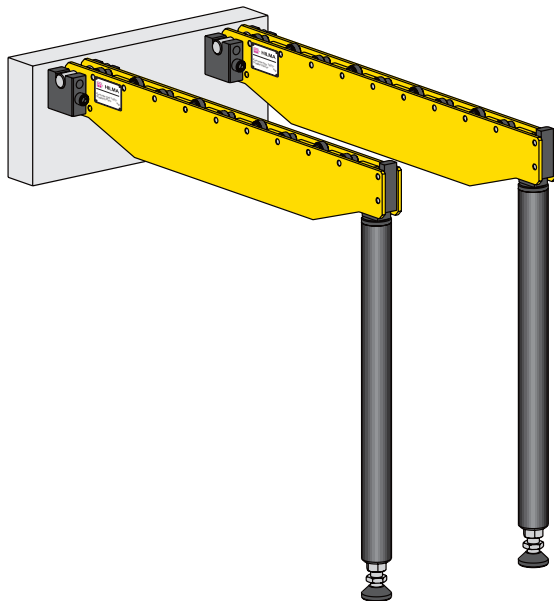
The carrying consoles are hung in the hooks on the die changing side of the press. The hooks are supplied with the consoles. The consoles are used as a pair. Their size must be selected to suit the highest die weight.

The die is loaded onto the consoles using a crane or a forklift truck.

The carrying rollers consist of high-strength hardened needle bearings. The end stop can be bypassed in one direction.

The surface is provided with a shock-resistant coating in RAL 1004, golden yellow.

Hanging consoles may be used for several presses. In this case, an additional set of hooks is required.

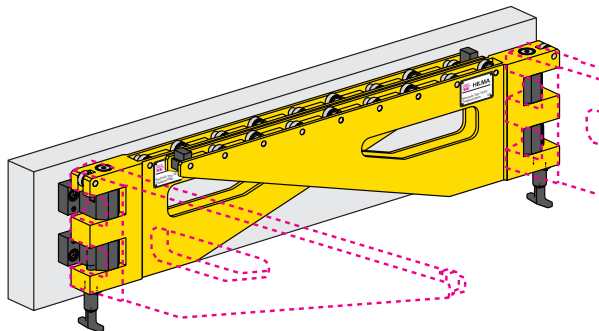


### Carrying console, supported

In order to cope with heavy and large dies, the console is provided with an additional support.

For compensating for unevenness on the floor, the supports are designed as adjustable supports with a ball-and-socket joint. The height may be changed subsequently by  $\pm 60$  mm.

The end stop can be bypassed in one direction.



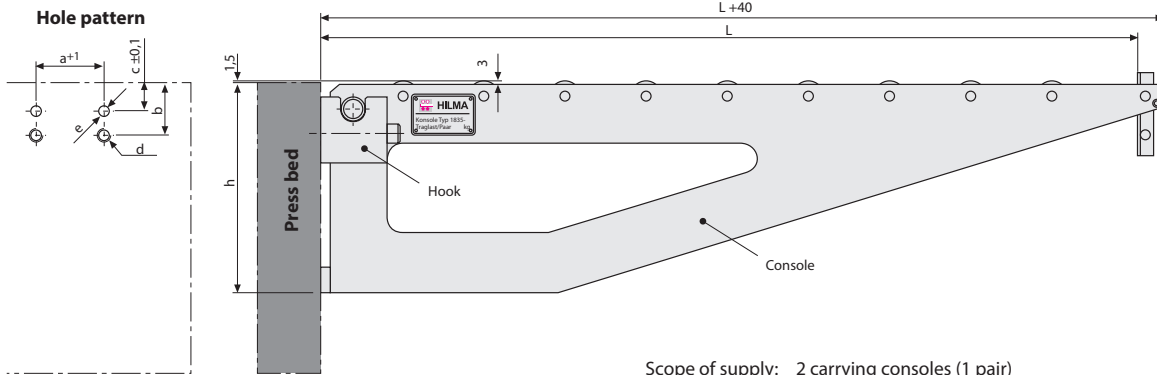
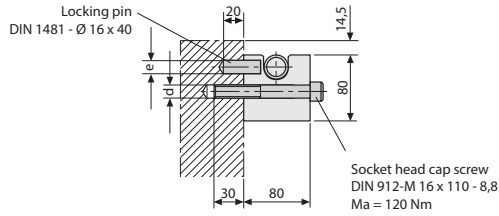
### Carrying console, swivelling

This console is permanently fastened to the press bed and can be pivoted into the die changing position.

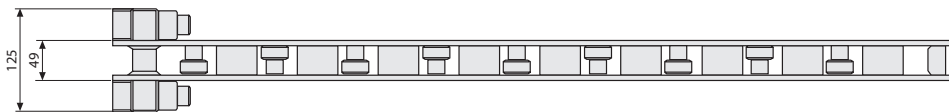
This type is particularly recommended when the available space in front of the press bed is limited, or if removal and intermediate storage of the console is not possible or wanted.

For carrying rollers, end stop and surface coating, see above.

**Special designs of carrying consoles are available on request.**



Scope of supply: 2 carrying consoles (1 pair)  
4 hooks  
screws and pins not included.



Part no. for 1 pair	Max. load/ pair (kN)	Length of support (L) (mm)	Dimensions (mm)						Weight/ pair (kg)
			a+1	b	c <sup>±0,1</sup>	d	h		
HCR-8.1835.0001	5	500	86	60	30	M16	Ø16	120	15
➤ HCR-8.1835.0002	10	500	86	60	30	M16	Ø16	150	18
HCR-8.1835.0003	10	800	86	60	30	M16	Ø16	180	30
➤ HCR-8.1835.0104	10	1000	86	60	30	M16	Ø16	250	40
HCR-8.1835.0105	20	800	86	60	30	M16	Ø16	250	32
➤ HCR-8.1835.0006	20	1000	86	60	30	M16	Ø16	300	48
HCR-8.1835.0107	20	1250	86	60	30	M16	Ø16	350	70
HCR-8.1835.0008	30	800	86	60	30	M16	Ø16	400	48
➤ HCR-8.1835.0009	30	1000	86	60	30	M16	Ø16	450	66
HCR-8.1835.0010	30	1250	86	60	30	M16	Ø16	500	90

4 hooks are supplied with the consoles. Screws and pins not included.

➤ available at short notice

1 additional set of hooks (= 4 OFF)  
part no. HCR-7.1835.0007 (40 kN)

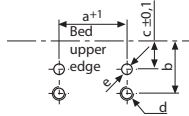
# Carrying console, supported



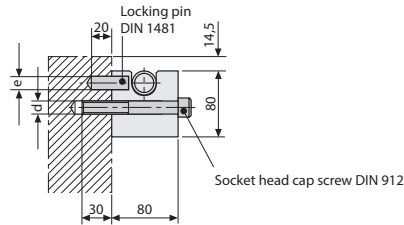
**ROEMHELD**

HILMA ■ STARK

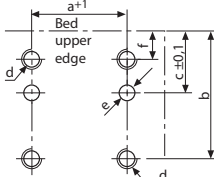
## Console 20 - 40 kN



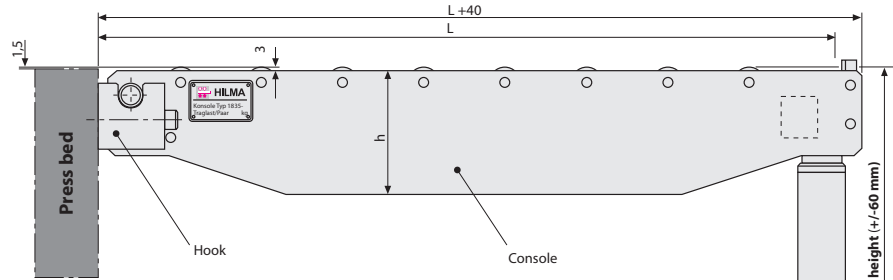
Socket head cap screws DIN 912  
M16 x 110, 8.8  
M<sub>s</sub> = 120 Nm  
Locking pin DIN 1481 Ø16 x 40



## Console 60 - 100 kN



Socket head cap screws DIN 912  
M16 x 50 and M16 x 110  
M<sub>s</sub> = 120 Nm  
Locking pin DIN 1481 Ø16 x 50

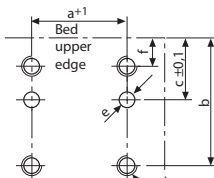


**When ordering, please specify the exact height of support**

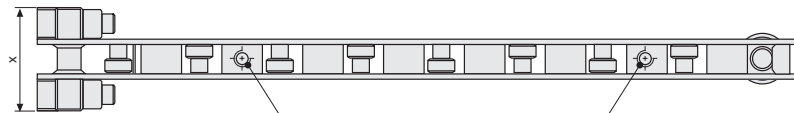
Scope of supply: 2 carrying consoles (1 pair)  
4 hooks  
2 supporting feet  
screws and pins not included

Support with ball-and-socket joint (+/-60 mm)

## Console 160 - 250 kN



Socket head cap screws DIN 912  
M24 x 80 und M24 x 160  
M<sub>s</sub> = 250 Nm  
Locking pin DIN 1481 Ø20 x 100



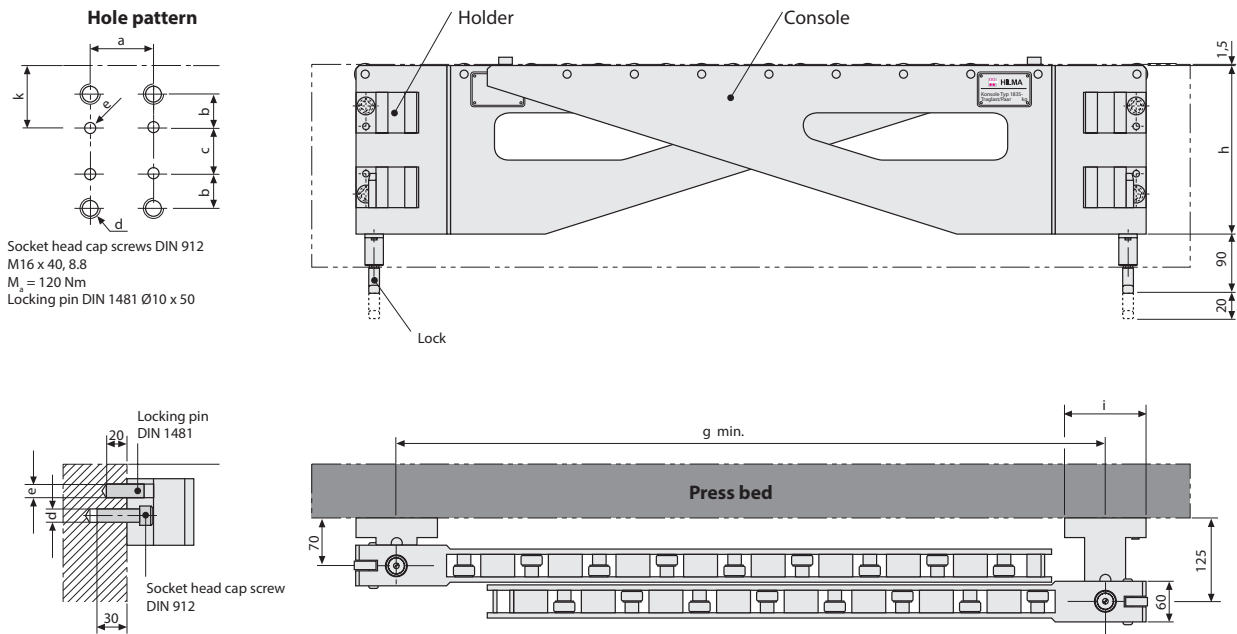
Part no. for 1 pair	Max. load/pair (kN)	Length of support (L) (mm)	Dimensions (mm)								Weight/pair (kg)
			a+1	b	c±0.1	d	e	f	h	x	
HCR-8.1835.3001	20	1000	86	60	30	M16	Ø16	-	150	125	60
HCR-8.1835.3102	20	1250	86	60	30	M16	Ø16	-	180	125	80
HCR-8.1835.3003	20	1600	86	60	30	M16	Ø16	-	200	125	100
➤ HCR-8.1835.3204	40	1000	86	60	30	M16	Ø16	-	200	125	70
➤ HCR-8.1835.3205	40	1250	86	60	30	M16	Ø16	-	200	125	85
HCR-8.1835.3206	40	1600	86	60	30	M16	Ø16	-	225	125	110
HCR-8.1835.3209	60	1000	91	105	45	M16	Ø16	20	200	125	75
HCR-8.1835.3210	60	1250	91	105	45	M16	Ø16	20	220	125	90
➤ HCR-8.1835.3211	60	1600	91	105	45	M16	Ø16	20	240	125	120
HCR-8.1835.3212	60	2000	91	105	45	M16	Ø16	20	270	125	170
HCR-8.1835.3213	100	1250	91	105	45	M16	Ø16	20	250	125	100
HCR-8.1835.3214	100	1600	91	105	45	M16	Ø16	20	280	125	140
HCR-8.1835.3215	100	2000	91	105	45	M16	Ø16	20	320	125	180
HCR-8.1835.3216	160	1600	160	145	75	M24	Ø20	30	260	210	240
HCR-8.1835.3217	160	2000	160	145	75	M24	Ø20	30	260	210	330
HCR-8.1835.3218	160	2500	160	145	75	M24	Ø20	30	280	210	480
HCR-8.1835.3220	250	2500	160	145	75	M24	Ø20	30	360	210	540

4 hooks and 2 supports are supplied with the consoles. Screws and pins not included.

➤ available at short notice

**Example of ordering:** HCR-8.1835.3001, SH 1000  
console 1000 mm long  
max. 20 kN  
height of support 1000 mm

1 additional set of hooks (= 4 OFF)  
**part no. HCR-7.1835.0007** (40 kN),  
**part no. HCR-7.1835.0021** (100 kN),  
**part no. HCR-7.1835.0022** (250 kN)



Scope of supply: 2 carrying consoles (left and right side)  
4 holders (premounted)  
screws and pins not included

**The carrying console is swivelling on the left and right side**

Part no. for 1 pair	Max. load/pair (kN)	Length of support (L) (mm)	Dimensions (mm)								
			a±0,2	b±0,1	c±0,1	d	e	g	h	i	k±0,1
HCR-8.1835.1001	10	500	90	30	20	M16	Ø10	550	200	120	91,5
HCR-8.1835.1002	10	1000	90	30	70	M16	Ø10	1050	250	120	91,5
HCR-8.1835.1003	20	1000	90	30	120	M16	Ø10	1050	300	120	91,5
HCR-8.1835.1004	20	1250	90	30	170	M16	Ø10	1300	350	120	91,5
HCR-8.1835.1105	40	1000	90	30	210	M16	Ø10	1050	450	120	121,5
HCR-8.1835.1106	40	1250	90	30	260	M16	Ø10	1300	500	120	121,5
HCR-8.1835.1107	60	1000	90	30	310	M16	Ø10	1050	550	120	121,5
HCR-8.1835.1108	60	1250	90	30	460	M16	Ø10	1300	700	120	121,5

Carrying consoles are supplied in pairs with holders fastened, ready for connection. Screws and pins not included.  
Special designs and double-swivel consoles are available on request.

**Special designs of carrying consoles,  
e.g. sliding carrying consoles are available on request**

