

Angular clamp single-acting, inch/ASA T-slot

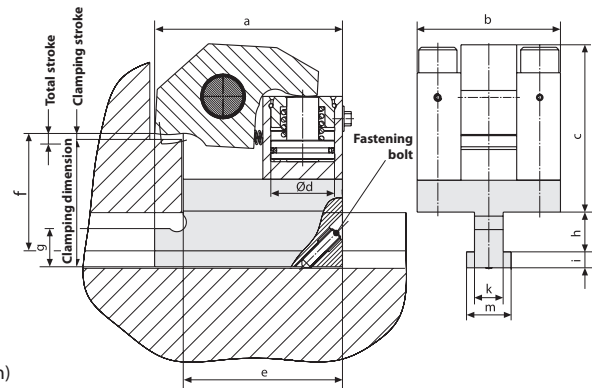
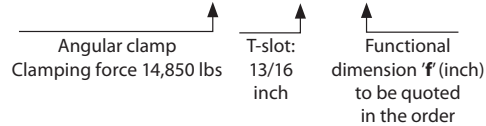


ROEMHELD
HILMA ■ STARK

Angular clamp complete with T-slot adapter

T-slot (inch)	Clamping force (lbs)	Part no.
13/16	9,000	HCR-8.2312.1302
13/16	14,850	HCR-8.2314.1311
1 1/16	9,000	HCR-8.2312.1702
1 1/16	14,850	HCR-8.2314.1711
1 1/16	24,750	HCR-8.2315.1711

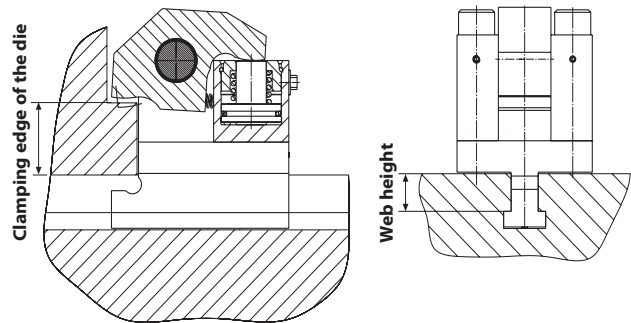
Example of ordering: HCR-8.2314.1311.F3125



T-slot as per ASA (inch)	13/16	13/16	1 1/16	1 1/16	1 1/16
Clamping force at 5,800 psi (lbs)	9,000	14,850	9,000	14,850	24,750
Clamping force at 1,450 psi (lbs)	2,250	3,700	2,250	3,700	6,200
Total stroke (inch)	0.217	0.236	0.217	0.236	0.236
Clamping stroke (inch)	0.098	0.118	0.098	0.118	0.118
Clamping dimension (inch)	0.807	0.984	0.807	0.984	1.260
Oil consumption (in ³)	0.397	0.610	0.397	0.610	0.976
a (inch)	3.976	4.646	3.976	4.646	5.787
b	2.953	3.543	2.953	3.543	4.724
c max. [for 'f' min] (inch)	3.661	3.661	4.173	4.173	5.236
d	1.260	1.575	1.260	1.575	1.969
e	3.346	3.937	3.346	3.937	4.921
g	0.944	0.944	1.654	1.654	1.654
h	1.173	1.173	1.375	1.375	1.375
i	0.515	0.515	0.703	0.703	0.703
k	0.783	0.783	1.033	1.033	1.033
m	1.299	1.299	1.654	1.654	1.654
Weight (lb)	10.1	13.2	12.6	15.7	25.9

max. operating pressure 5,800 psi
Please consult us if aggressive spray is used

Functional dimension 'f':
clamping stroke
+ height of die clamping edge
+ web height of T-slot
= dimension 'f'



Please note:
Further dimensions with other clamping forces and T-slots are available on request.
The angular clamp may also be fastened directly, without a T-slot adapter. Position monitoring using laterally installed proximity switches on request.