



Hydraulic Pump

manually operated, with overload protection
 max. operating pressure 100, 120 and 400 bar



Advantages

- Compact and self-contained design
- Pumping and unclamping or releasing with the same lever
- 3 pressure stages selectable
- Alternatively with overload protection, pressure gauge, hand or foot operation, with holder or base
- Nearly wear-free
- Completely assembled, ready-for-connection unit

Application

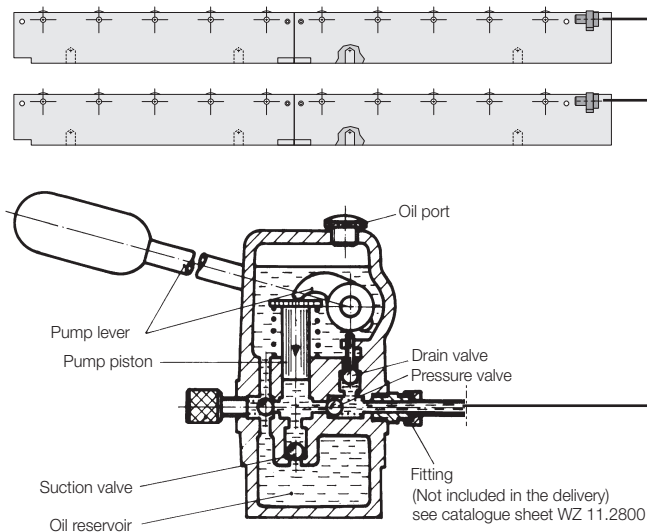
Lifting and lowering of dies using roller or ball bars.

Overload protection

It may happen that the lifted roller or ball bars are overloaded and destroyed by e.g. unintentional closing of the press or excessive die weights.

To protect the ball or roller bars, the hydraulic pump can be supplied with a special pressure relief valve (DBV). In the case of an overload, a valve on the pump opens, the bars are lowered and remain undamaged.

Principle of a manually-operated hydraulic pump with 2 ball or roller bars



Technical data

Max. operating pressure [bar]	100	120	400
Displacement per stroke [cm ³]	8	8	2
Oil volume, usable [cm ³]	150	150	150
Oil volume [cm ³]	300	300	300
Operating force - hand lever [N]	250	300	500
Hydraulic connection	G 1/4	G 1/4	G 1/4
Weight [kg]	7.3	7.3	7.3

Accessories

To connect the hydraulic pump to the hydraulic elements, a series of connecting components such as hydraulic hoses and fittings are available as accessories (see catalogue sheets WZ 11.2800 and WZ 11.3800).

Description

Compact hydraulic pump with hand lever or foot pedal for pumping and releasing. Due to the metallic seal on the pump piston, the pump is almost wear-free. The hydraulic pump is delivered completely assembled, including the filling with hydraulic oil HLP32 as a ready-for-connection unit.

In addition to three maximum operating pressures, the following options can be selected:

- Holder for fixing the pump at the press bed or with a base for good stability.
- Pressure gauge to display the pressure reached. Display range 0 to 100 / 120 or 400 bar.
- Adjusted overload protection (DBV) to protect the roller and ball bars against damage.

Code for part numbers

8455 PXXX X MX DX BX

Max. operating pressure

- 100** = 100 bar
- 120** = 120 bar
- 400** = 400 bar

Operation

- H** = Hand lever
- F** = Foot pedal

Pressure gauge

- M1** = with pressure gauge
- M0** = without

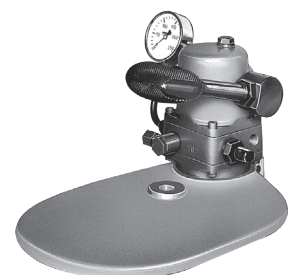
Overload protection (DBV)

- D1** = with DBV
- D0** = without

Fixation

- BT** = Table holder
- BS** = Base
- BF** = Flange
- B0** = without

Application example

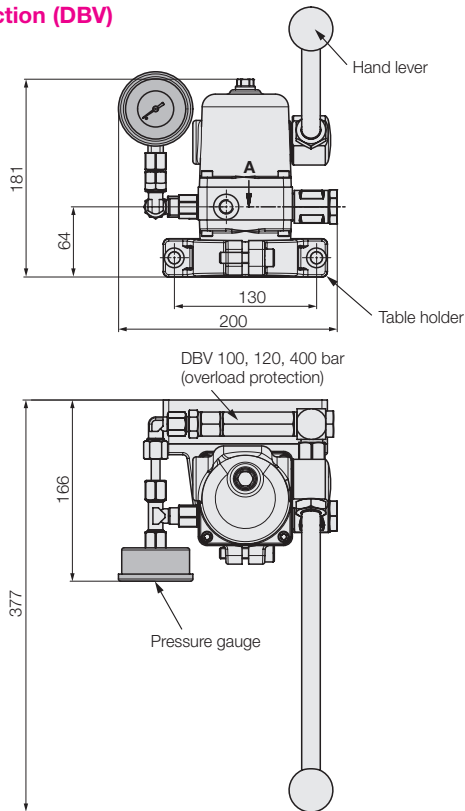


Version with foot pedal and base

Application examples of completely assembled hydraulic pumps

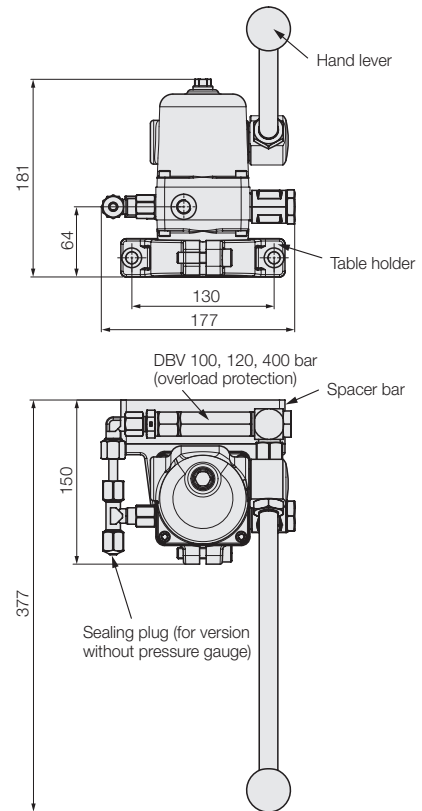
Part no.: 8455PXXXHM1D1BT

- with pressure gauge
- with hand lever
- table holder
- with overload protection (DBV)



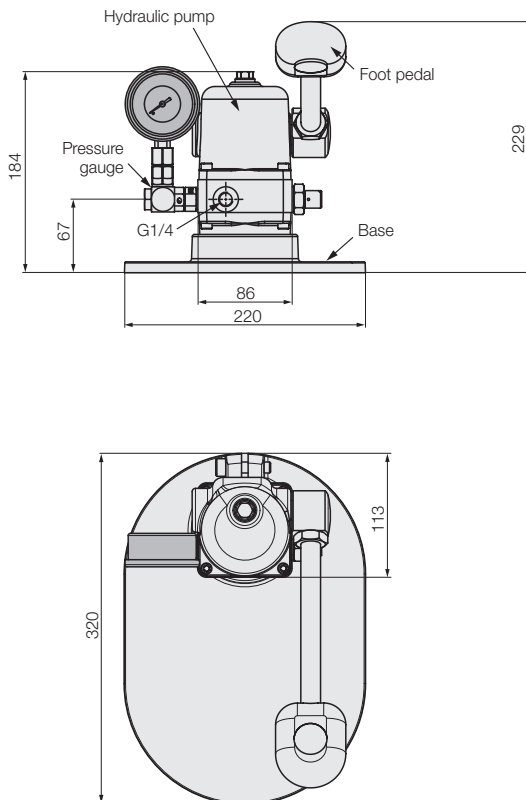
Part no.: 8455PXXXFM0D1BT

- with hand lever
- table holder
- with overload protection (DBV)



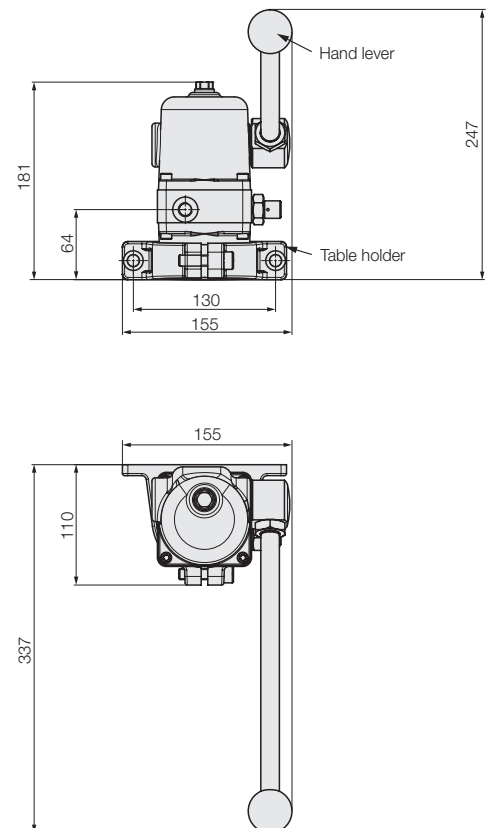
Part no.: 8455PXXXFM1D0BS

- with pressure gauge
- with foot pedal
- base
- without overload protection (DBV)



Part no.: 8455PXXXHM0D0BT

- with hand lever
- table holder
- without overload protection (DBV)



Components and accessories

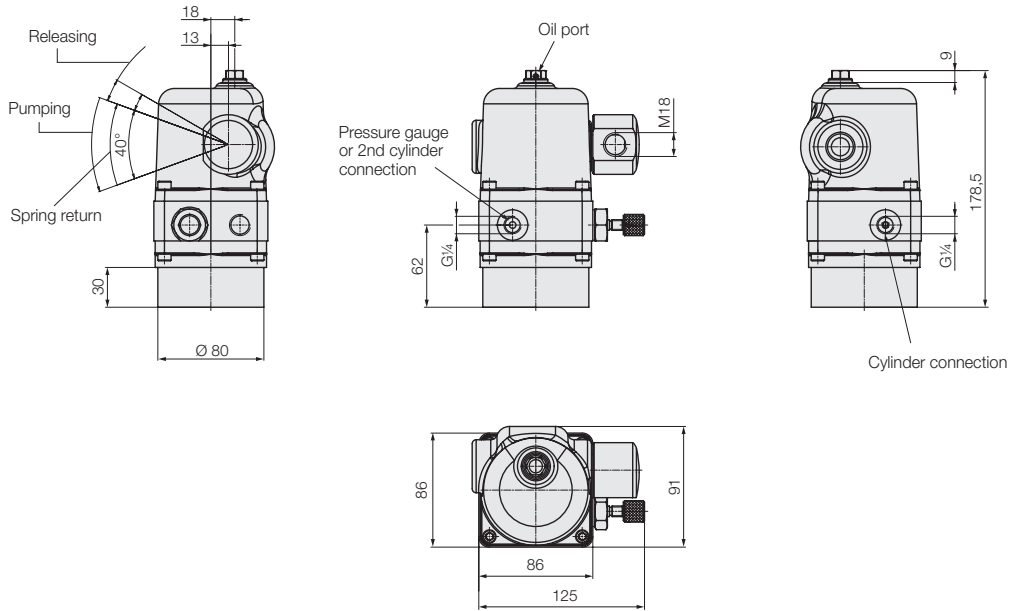
Individual order

On request, the pump components can also be ordered individually and assembled as required.

Please note: Hydraulic pumps with overload protection (DBV) and versions with pressure gauge are not available for individual orders.

Hydraulic pump

Max. operating pressure [bar]	100	120	400
Part no.	8804813	8804812	8816813



Base

Part no. 3533001

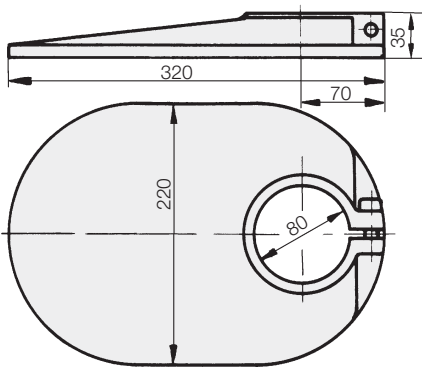
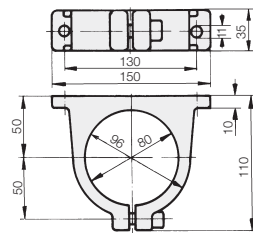


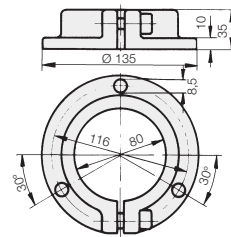
Table holder

Part no. 3533002



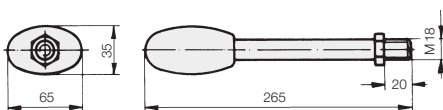
Flange

Part no. 3533003



Foot pedal

Part no. 0990 102



Hand lever

Part no. 0990 103

