

Quick-Change Mounting Plate

With zero point clamping system SPEEDY easy click for modulog interfaces

M8.302

Issue 5-20 E



Advantages

- modulog interface
- Workpiece change in seconds by SPEEDY easy click
- Engages immediately without any energy supply!
- Immediate build up of the clamping force 5 kN
- Max. retention force 10 kN
- Pneumatics for unclamping available every-where
- Radial positioning by locating bolts
- Snapper as a safety against falling out in the changing position

Application

The quick-change mounting plate can be mounted onto all modulog modules and devices with interface 140 x 140 mm.

The built-in STARK zero point clamping system SPEEDY easy click allows a very fast workpiece change.

A prerequisite is that the workpieces are mounted on base plates which are equipped with a draw-in nipple for the SPEEDY easy click.

This system is particularly suitable,

- when workpieces must be frequently changed very quickly at the assembly station.
- when different workpieces or parts families are to be routed through one assembly station.
- when workpieces are to be routed through several assembly stations.
- when the workpiece with the required base plate is still manually tradable.

Description

The quick-change mounting plate is designed as adaptor plate with connecting dimensions of the modulog interface 140 x 140.

A STARK zero point clamping system SPEEDY easy click is installed in the centre.

This is a fast-closing clamp plate that engages immediately and clamps without energy supply. For unclamping a pneumatic connection is required.

The required draw-in nipple is mounted on the base plate for the workpiece to be clamped. The radial positioning is made by a location bolt. A suitable drill bush is embedded in the base plate. In addition, there is a snapper installed to secure the workpiece against falling out after the pneumatic unclamping of the zero point clamping element.

modulog

Quick-change mounting plate for SPEEDY easy click



Part no. 890301P

Combinable with the modules

- Lifting module Shop Floor as per data sheet M 4.301



- Rotating module with flow power as per data sheet M 1.202



modulog interface

- 140 x 140 - M10

Technical data

Clamping force (traction) approx.	[kN]	5
Retention force maxi.	[kN]	10
Force to engage approx.	[N]	80
Pneumatic unclamping pressure	[bar]	3 – 8
Clamping time approx.	[s]	0.1
Unclamping time approx.	[s]	0.1
Admissible workpiece weight	[kg]	100
Admissible side load	[kN]	2.5
Admissible radial torque	[Nm]	200
Repeatability	[mm]	0.01
Weight, approx.	[kg]	8.2

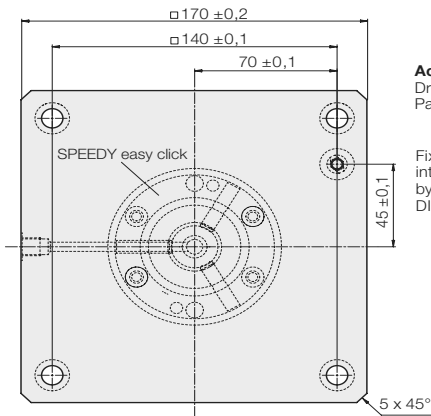
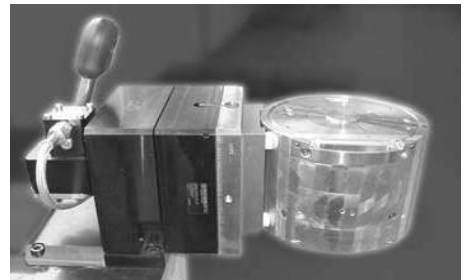
Accessories

Draw-in nipple (1 piece) **6200-776**

Workpiece change

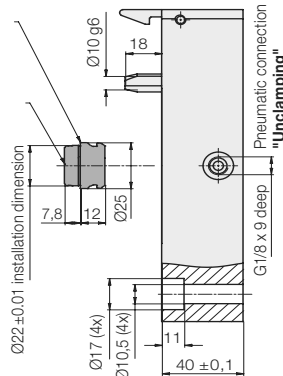


Workpiece engaged



Accessory:
Draw-in nipple
Part no. 6200-776

Fixation at M12 internal thread or by screw M10 DIN 7991



Exemplary base plate with
Contour for snap lock as per DIN 6310
Base plate (workpiece holder, provided by the customer)

Snap lock DIN 6310
Snapper with spring is used as fall protection

Radial positioning
Location bolt and support bolt DIN 6321, 90° adjusted to draw-in nipple

Quick-changing mounting plate with SPEEDY easy click



ROEMHELD
HILMA ■ STARK

Subject to change.

Carr Lane Roemheld Mfg. Co.

Sales — Phone (636) 386-8022 Fax (636) 386-8034

Engineering — Phone 1-800-827-2526 Web roemheld-usa.com