

Tiltingmodule KME 100

max. load 1,000 N, electrical operation

M2.201

Issue 5-20 E



Advantages

- Easy tilting and fixing of components in angle positions 0° and 90°
- Holds self-locking in any intermediate position
- High load potential
- Good accessibility from all sides
- Easily combinable with other *modulog* modules
- Ergonomic working conditions
- Safe and quick working

Application

Tilting module for universal use in assembly and handling processes in the industry.

Principal use

- Assembly of car seats
- Motor assembly
- Plant construction
- Construction of power units

Fixing and installation

For fixing of *modulog* modules or other components of the user, the tilting module has an interface 140 x 140 at the base plate and the tilting clamping surface.

Mains cable 5 x 1.5 mm²

To be connected by the customer to the terminal strip in the control module (mains cable is not included in our delivery).

Operation

Tilting is made in touch control with hand panel or foot switch. After releasing the hand panel or foot switch, the tilting movement will be stopped immediately.

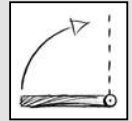
Description

The electric tilting module is equipped with a worm gear motor and offers the possibility to tilt components by up to 90° and to hold them in position in non-actuated mode. The desired position is approached by pressing a hand panel or foot switch in touch control. When the push-button is released, the tilting module stops in any desired position. The tilting module is automatically stopped by sensors in the positions 0° and 90°. With the electric tilting module, assembly processes can be realised quickly and efficiently. Ergonomic working conditions are fulfilled.

Available on request:

- Tilting position 0, 30, 60 and 90 degrees.
- Tilting position 0, 30, 45, 60 and 90 degrees.
- Tilting position 0, 45 and 90 degrees.

modulog Tilting module



Part no. 6400-752

Technical data

Max. load: 1,000 N
Max. torque: 230 Nm
in relation to the rotating axis

Operation

- Foot switch
- Hand panel



Combinable with the modules

- Rotating module – vertical axis DMV 600 as per data sheet M 1.301
- Lifting modules as per data sheet M 4.XXX



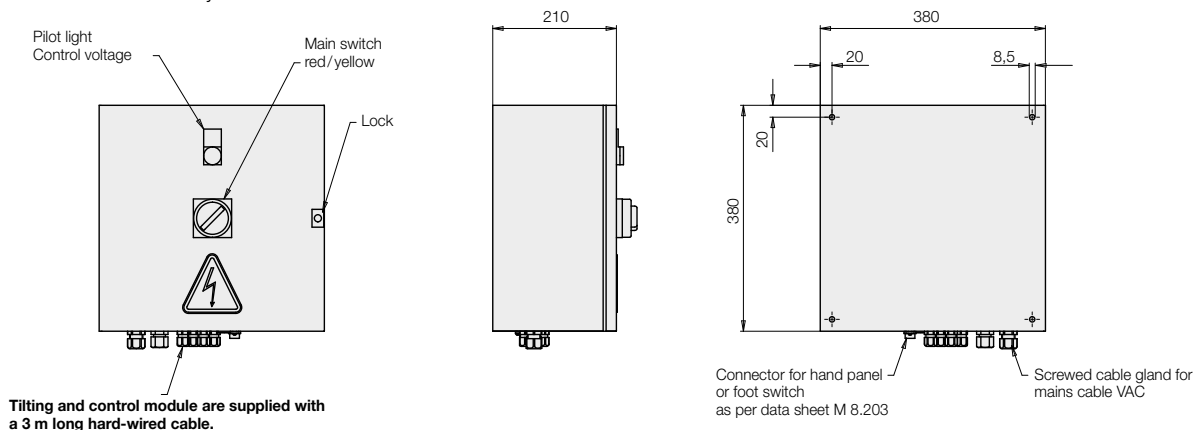
modulog interfaces

- Flange plate: 140 x 140 - M10
- Body: 140 x 140 - Ø 10.5 mm

Accessories

- Electrical operating elements as per data sheet M 8.203

Control module 6862-717
included in our delivery



ROEMHELD
HILMA ■ STARK

Subject to change.

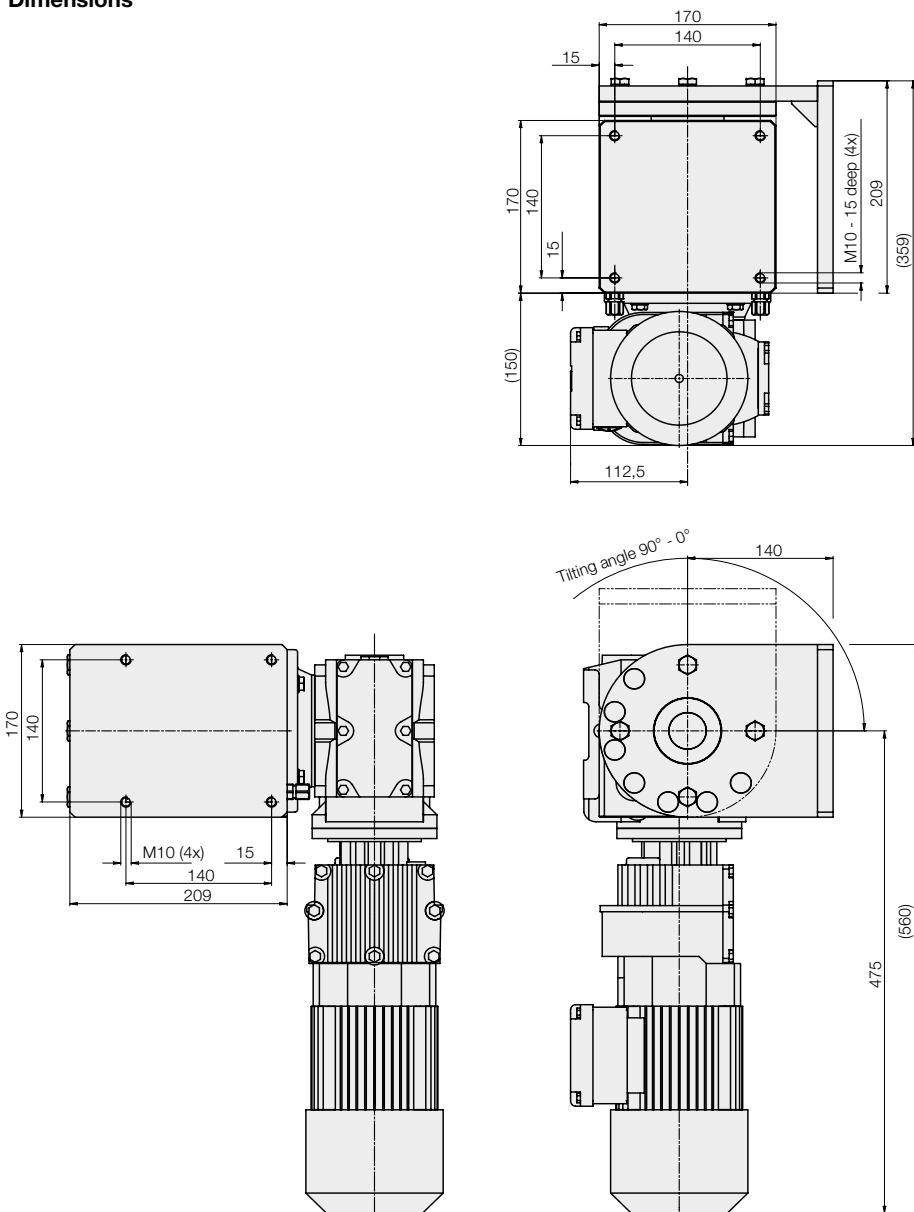
Carr Lane Roemheld Mfg. Co.

Sales — Phone (636) 386-8022 Fax (636) 386-8034

Engineering — Phone 1-800-827-2526 Web roemheld-usa.com

Technical data Dimensions

Dimensions

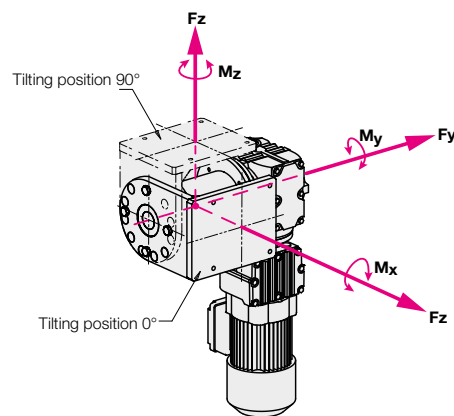


Part no. 6400-752

Technical data

| | |
|---------------------|--|
| Operation | Switching contact or foot switch or hand panel |
| Tilting angle | 0° to 90° |
| Supply voltage | 230 V, 50 Hz |
| Code class | IP 54 |
| Max. rotation speed | 4.5 min ⁻¹ |

Maximum admissible load



Maximum admissible forces

F_x = ± 1,000 N
F_y = ± 1,000 N
F_z = ± 1,000 N

Maximum admissible torques

M_x = 100 Nm
M_y = 230 Nm
M_z = 100 Nm

The total of all occurring forces or torques must not exceed the highest single value.

Delivery

The electrical tilting modules are delivered with control module ready for connection. Electrical operating elements are available as accessories.

Important notes!

The electrical tilting module is designed for applications within closed rooms.



ROEMHELD
HILMA ■ STARK

Subject to change.

Carr Lane Roemheld Mfg. Co.

Sales — Phone (636) 386-8022 Fax (636) 386-8034

Engineering — Phone 1-800-827-2526 Web roemheld-usa.com