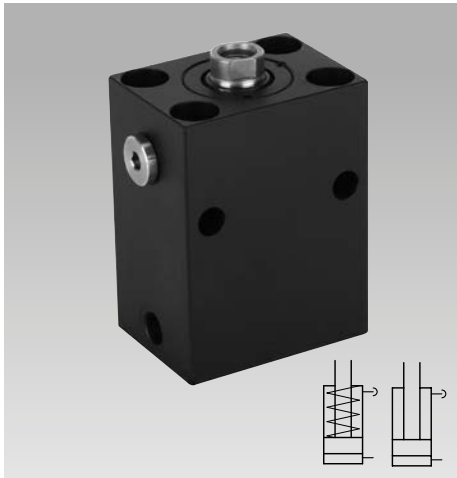




**Block Cylinders**

single acting, with and without spring return  
max. operating pressure 500 bar



**Advantages**

- 8 sizes each with 2 stroke lengths available
- Large range of diameter  
Piston Ø 16 up to 100 mm
- Large range of stroke 8 up to 100 mm
- Large range of force  
2 kN for piston Ø 16 mm and 100 bar  
392 kN for piston Ø 100 mm and 500 bar
- Large retention force
- Compact block design
- Many fixing possibilities
- Many connecting possibilities
- Case-hardened piston rod
- Alternatively NBR or FKM seals and wiper
- Operating temperature up to 200 °C with FKM seals
- Minimum leakage
- Maintenance free

**Application**

Single-acting block cylinders can be used for all hydraulically-operated linear movements that do not require a retraction force or where the piston is retracted by an external force.

- Positioning
- Clamping
- Supporting
- Locking
- Riveting
- Moving
- Closing
- Locking
- Lifting
- Pushing

**Function**

**With spring return**

When pressurising the cylinder the piston extends. After pressure relief, the piston is retracted by spring force.

The pressure spring must not only overcome the friction forces, but must also supply the hydraulic oil back to the reservoir.

**Without spring return**

When pressurising the cylinder the piston extends. After pressure relief, the piston must be retracted by an external force. Since no pressure spring is installed, this single-acting block cylinder has the same stroke as the double-acting version with the same length.

**Material**

**Cylinder housing:** high alloy steel, black oxide\*

**Kolben:** case-hardening steel, hardened and ground

**O-rings and wipers:**

NBR = nitrile-butadiene rubber  
Temperature range: -25 up to +100 °C

FKM = fluor caoutchouc  
Temperature range: -15 up to +200 °C

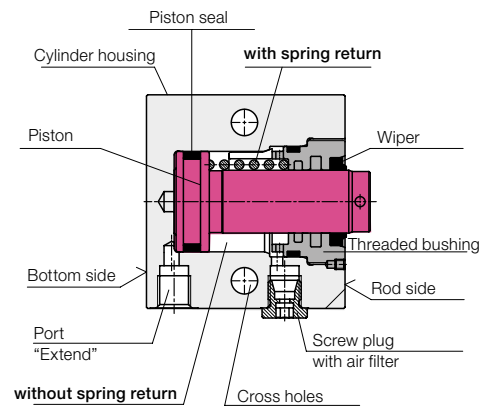
**Glydrings and back-up rings:**

PTFE = polytetrafluor ethylene  
Temperature range: -45 up to +200 °C

**Hydraulic fluid:** see data sheet A 0.100  
Special versions for other hydraulic fluids and operating temperatures up to +250 °C are available on request. auf Anfrage lieferbar.

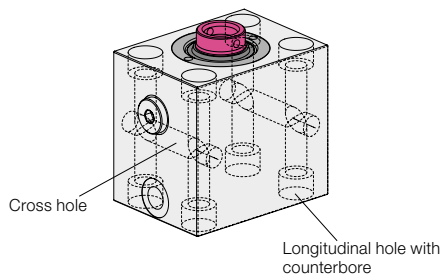
\* Size 1519 black matt lacquered

**Design**



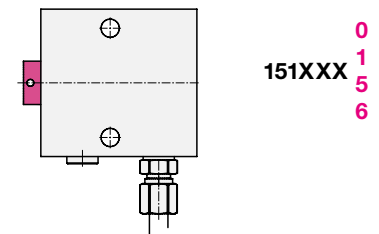
**Fixing possibilities**

Possible mounting holes



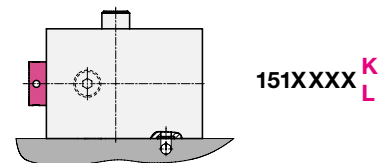
**Hydraulic connecting possibilities**

**Pipe thread**

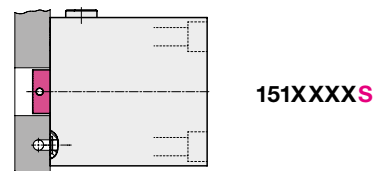


**Flange with O-ring sealing**

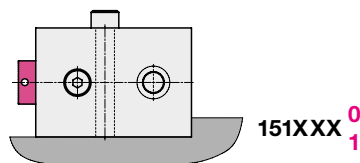
● Broad side



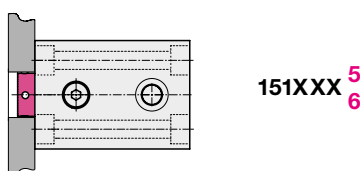
● Rod side



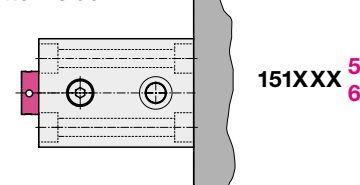
● Broad side



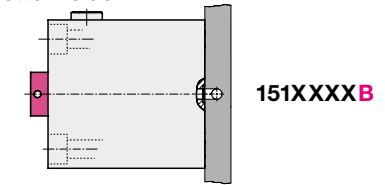
● Rod side



● Bottom side



● Bottom side



# Pipe thread

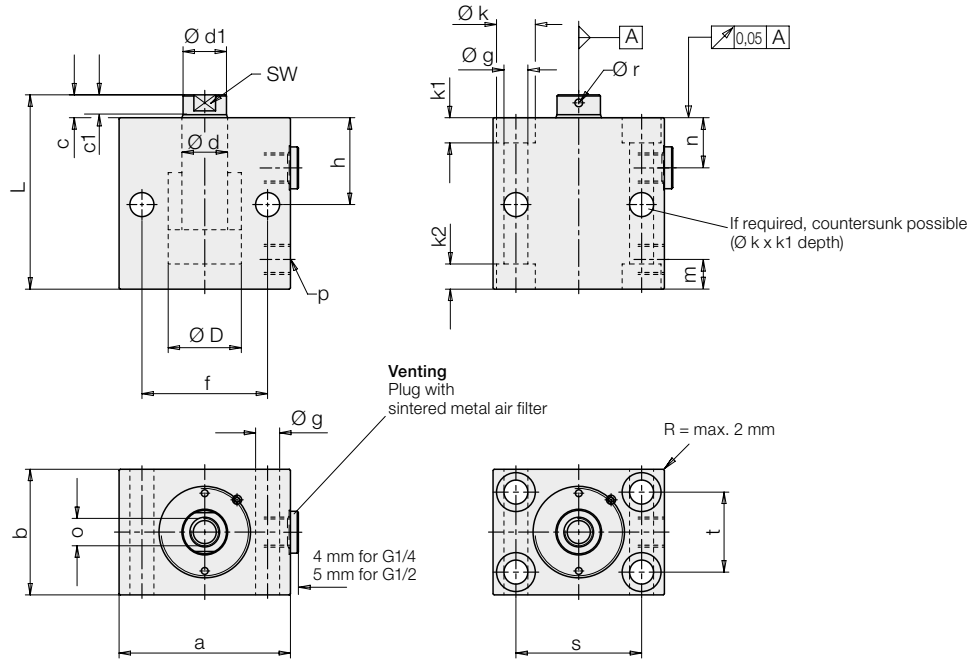
## 8 up to 100 mm stroke

2 cross holes

2 cross holes and  
4 longitudinal holes

151XXX<sup>0</sup> (NBR)  
151XXX<sup>1</sup> (FKM)

151XXX<sup>5</sup> (NBR)  
151XXX<sup>6</sup> (FKM)



<b>Piston Ø D</b>	[mm]	16	25	32	40	50	63	80	100
<b>Rod Ø d</b>	[mm]	10	16	20	25	32	40	50	63

### With spring return 8 up to 32 mm stroke

X = identification code for bore holes and seals → see above

<b>Stroke ±0.6</b>	[mm]	8	8	10	10	12	12	12	12
Total length L ±0.5	[mm]	62	71	85	89	100	116	131	145
Min. spring return force	[N]	57	145	222	276	387	429	760	1200
Weight approx.	[kg]	0.8	1.2	2	2.76	4.5	8.2	15.4	24.8
<b>Part no.</b>		151100X	151300X	151410X	151500X	151600X	151700X	151800X	151900X

<b>Stroke ±0.6</b>	[mm]	20	20	20	20	20	25	32	32
Total length L ±0.5	[mm]	97	101	110	114	125	149	179	205
Min. spring return force	[N]	48	160	228	276	450	470	720	1230
Weight approx.	[kg]	1.4	2	2.8	3.6	6.1	10.3	20.3	39
<b>Part no.</b>		151102X	151302X	151412X	151502X	151602X	151703X	151804X	151904X

### Without spring return 16 up to 100 mm stroke

X = identification code for bore holes and seals → see above

<b>Stroke ±0.6</b>	[mm]	16	20	25	25	25	30	32	40
Total length L ±0.5	[mm]	62	71	85	89	100	116	131	145
Weight approx.	[kg]	0.8	1.2	1.9	2.7	4.4	8	15	24
<b>Part no.</b>		151101X	151301X	151411X	151501X	151601X	151701X	151801X	151901X

<b>Stroke ±0.6</b>	[mm]	50	50	50	50	50	63	80	100
Total length L ±0.5	[mm]	97	101	110	114	125	149	179	205
Weight approx.	[kg]	1.3	1.9	2.7	3.5	6	10	20	37
<b>Part no.</b>		151106X	151306X	151416X	151506X	151606X	151707X	151808X	151909X

## Dimensions Technical data • Important notes

Size		1511	1513	1514	1515	1516	1517	1518	1519
Piston Ø D	[mm]	16	25	32	40	50	63	80	100
Rod Ø d	[mm]	10	16	20	25	32	40	50	63
Force to push at	100 bar [kN] 500 bar [kN]	2.0 10.0	4.9 24.5	8.0 40.2	12.6 62.8	19.5 98.5	31.2 156.0	50.4 252.0	78.4 392.0
Oil volume / 10 mm stroke	stroke to extend [cm³]	2.01	4.91	8.05	12.56	19.63	31.17	50.26	78.54
a	[mm]	60	65	75	85	100	125	160	200
b	[mm]	35	45	55	63	75	95	120	150
c	[mm]	6 (7)*	7	10	10	10	14	14	15
Ø d1 x c1	[mm]	9.2x4	15x5	19x6	24x6	30.5x6	38.7x9	48x10	61x12
f	[mm]	30	50	55	63	76	95	120	158
Ø g	[mm]	6.5	8.5	10.5	10.5	13	17	21	25
h	[mm]	30	33	38	40	44	50	60	64
h1	[mm]	24.5	26	27	27	30	41	47	54
Ø k	[mm]	11	13.5	17	17	20	26	33	40
k1	[mm]	7	9	11	11	13	17	21.5	25.5
k2	[mm]	4	9	11	11	13	17	21.5	25.5
m	[mm]	11	11	11	11	13	17	21	25
n	[mm]	16.5	18	22	24	27	26	34	35
o x thread depth	[mm]	M6x12	M10x15	M12x15	M16x25	M20x30	M27x40	M30x40	M42x60
p		G1/4	G1/4	G1/4	G1/4	G1/4	G1/2	G1/2	G1/2
Ø r	[mm]	–	–	–	4	4	4	5	6
s	[mm]	40	50	55	63	76	95	120	158
t	[mm]	22	30	35	40	45	65	80	108
SW	[mm]	8	13	17	–	–	–	–	–
u ± 0.05	[mm]	1.1	1.1	1.1	1.1	1.1	1.5	1.5	1.5
Ø v1 extend	[mm]	3.5	4	5	6	6	8	8	8
w + 0.2	[mm]	9.8	9.8	9.8	9.8	10.8	13.8	13.8	13.8
x	[mm]	7	7.5	10	10	13	16	21	25

General tolerances as per DIN ISO 2768-mH

\* 7mm for 1511 02X and 1511 06X

### Important notes

The block cylinders designed for industrial applications to transform hydraulic pressure to a linear movement and /or force. They can generate very high forces. The fixture or machine must be in the position to compensate the forces.

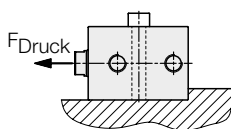
In the effective area of the clamping bolt there is the danger of crushing. The manufacturer of the fixture or the machine is obliged to provide effective protection devices.

### Mounting

In principle, screws of tensile strength 8.8 can be used to secure the block cylinders.

### Support

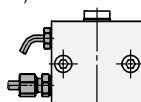
If block cylinders are fastened with screws across the cylinder axis, they must be supported for operating pressures of 160 bar and higher.



Support required, if  $p > 160$  bar  
(see also page 5 "Keyway")

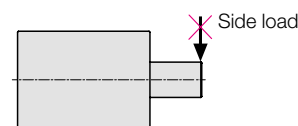
### Venting of the spring area

If there is any danger that fluids penetrate through the sintered metal air filter into the spring area, a vent hose has to be connected and be placed in a protected position (see data sheet G 0.110).



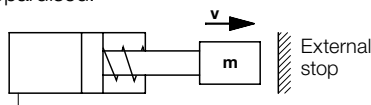
### Side loads

Side loads cannot be compensated, since in the case of single-acting block cylinders the guide of the piston rod is not lubricated with hydraulic oil.



### Admissible dynamic load

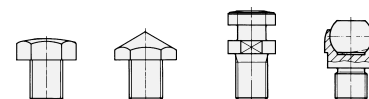
This block cylinder line is not equipped with stroke end cushioning, i.e. a weight  $m$  fixed to the piston will move with speed  $v$  against the internal stop without braking. Above all in extending direction, the threaded bushing is overloaded and the operating safety is jeopardised.



At piston speeds higher than 0.05 m/s and a weight that exceeds the own weight of the block cylinder, a cylinder with stroke end cushioning has to be used or the cylinder movement must be effected against an external stop. This is also valid for punching applications

### Accessory - Contact bolts

As accessory different contact bolts and coupling pins are available. See data sheet G 3.800



For further application instructions see data sheet A 0.100 and program summary "Block Cylinders".

# Flange with O-ring sealing

## Broad side K

**With spring return**  
8 up to 12 mm stroke  
**Without spring return**  
16 up to 40 mm stroke

**2 cross holes**  
151X **XX0K** (NBR)  
151X **XX1K** (FKM)

## Broad side L

**With spring return**  
20 up to 32 mm stroke  
**Without spring return**  
50 up to 32 mm stroke

**4 cross holes**  
151X **XX0L** (NBR)  
151X **XX1L** (FKM)

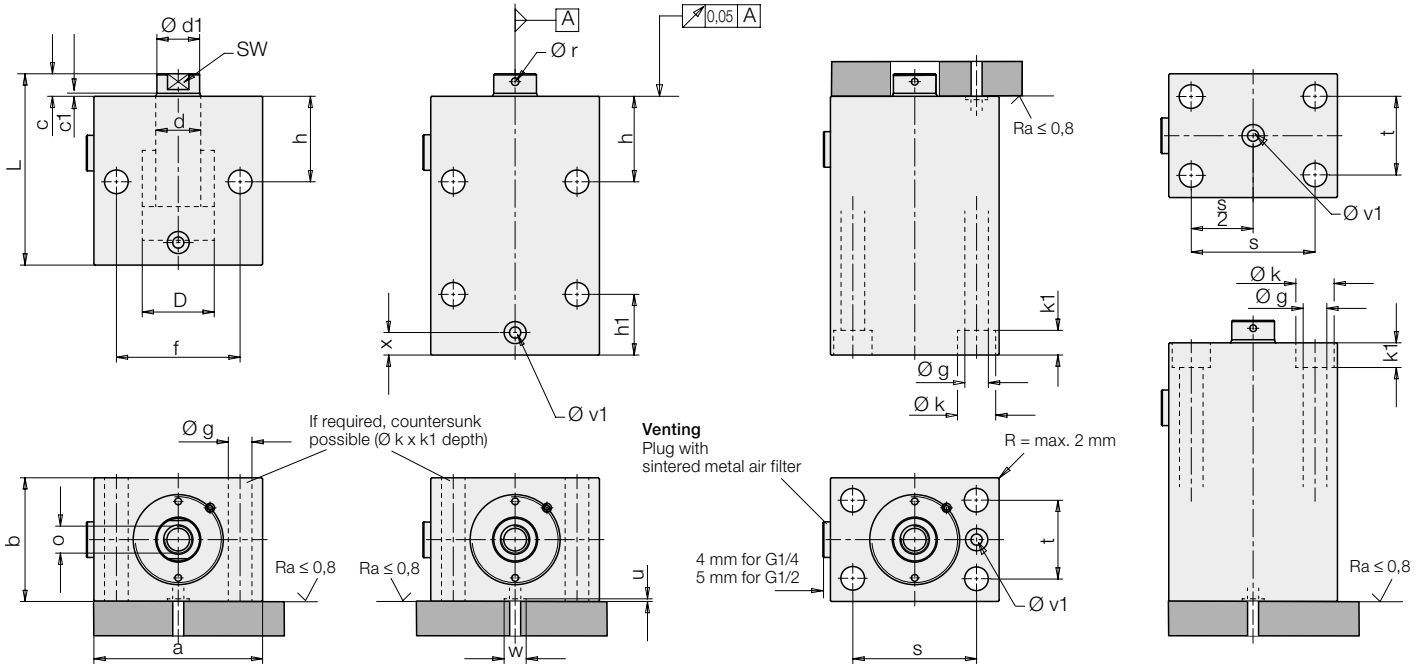
## Rod side S

**With spring return**  
8 up to 32 mm stroke  
**Without spring return**  
16 up to 100 mm stroke

**4 longitudinal holes**  
151X **XX5S** (NBR)  
151X **XX6S** (FKM)

## Bottom side B

**4 longitudinal holes**  
151X **XX5B** (NBR)  
151X **XX6B** (FKM)



<b>Piston Ø D</b>	[mm]	16	25	32	40	50	63	80	100
<b>Rod Ø d</b>	[mm]	10	16	20	25	32	40	50	63

**With spring return** 8 up to 32 mm stroke **XX** = identification code for sealing material and manifold mounting area → see above

<b>Stroke ±0.6</b>	[mm]	8	8	10	10	12	12	12	12
Total length L +0.5/-0.8	[mm]	62	71	85	89	100	116	131	145
Min. spring return force	[N]	57	145	222	276	387	429	760	1200
Weight approx.	[kg]	0.8	1.2	2	2.76	4.5	8.2	15.4	24.8
<b>Part no.</b>		<b>151100XX</b>	<b>151300XX</b>	<b>151410XX</b>	<b>151500XX</b>	<b>151600XX</b>	<b>151700XX</b>	<b>151800XX</b>	<b>151900XX</b>

<b>Stroke ±0.6</b>	[mm]	20	20	20	20	20	25	32	32
Total length L +0.5/-0.8	[mm]	97	101	110	114	125	149	179	205
Min. spring return force	[N]	48	160	228	276	450	470	720	1230
Weight approx.	[kg]	1.4	2	2.8	3.5	6.1	10.3	20.3	39
<b>Part no.</b>		<b>151102XX</b>	<b>151302XX</b>	<b>151412XX</b>	<b>151502XX</b>	<b>151602XX</b>	<b>151703XX</b>	<b>151804XX</b>	<b>151904XX</b>

**Without spring return** 6 up to 100 mm stroke **XNNX** = identification code for sealing material and manifold mounting area → see above

<b>Stroke ±0.6</b>	[mm]	16	20	25	25	25	30	32	40
Total length L +0.5/-0.8	[mm]	62	71	85	89	100	116	131	145
Weight approx.	[kg]	0.8	1.2	1.9	2.7	4.4	8	15	24
<b>Part no.</b>		<b>151101XX</b>	<b>151301XX</b>	<b>151411XX</b>	<b>151501XX</b>	<b>151601XX</b>	<b>151701XX</b>	<b>151801XX</b>	<b>151901XX</b>
<b>Stroke ±0.6</b>	[mm]	50	50	50	50	50	63	80	100
Total length L +0.5/-0.8	[mm]	97	101	110	114	125	149	179	205
Weight approx.	[kg]	1.3	1.9	2.7	3.5	6	10	20	37
<b>Part no.</b>		<b>151106XX</b>	<b>151306XX</b>	<b>151416XX</b>	<b>151506XX</b>	<b>151606XX</b>	<b>151707XX</b>	<b>151808XX</b>	<b>151909XX</b>

**O-rings for manifold-mounting area:** (included in the delivery)

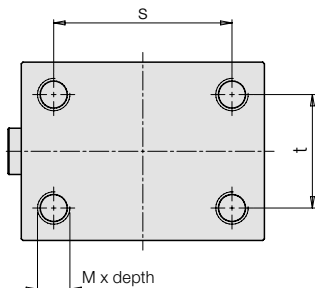
Dimensions	[mm]	7 x 1.5	7 x 1.5	7 x 1.5	7 x 1.5	8 x 1.5	10 x 2	10 x 2	10 x 2
<b>Part no. NBR</b>		<b>3000342</b>	<b>3000342</b>	<b>3000342</b>	<b>3000342</b>	<b>3000343</b>	<b>3000347</b>	<b>3000347</b>	<b>3000347</b>
<b>Part no. FKM</b>		<b>3001077</b>	<b>3001077</b>	<b>3001077</b>	<b>3001077</b>	<b>3000275</b>	<b>3001078</b>	<b>3001078</b>	<b>3001078</b>

## Standard variants

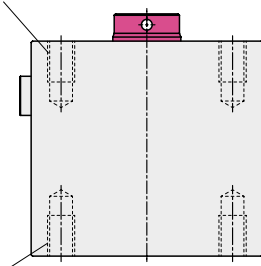
### Thread • Keyway • Stroke limitation

#### 4 threads at the front to fix the housing C, D

Instead of longitudinal holes and cross holes the block cylinders can be provided with 4 interior threads, alternatively at the rod side C or at the bottom side D.



#### Rod side: 151XXXXC



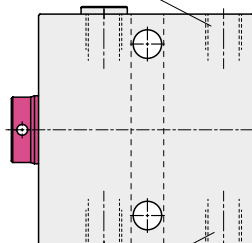
#### Bottom side: 151XXXXD

#### Keyway to support the housing E, F, Q

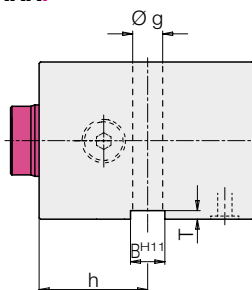
The block cylinders without longitudinal holes or interior thread can be equipped with a keyway for a key.

For pipe thread connection the position of the connecting threads have to be determined in advance (identification code E or F). For manifold-mounting connection (K or L) the identification code is Q.

#### Pipe thread connection at the right side: 151XXXXE



#### Pipe thread connection at the left side: 151XXXXF

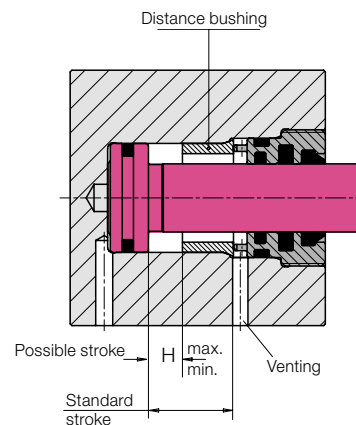


#### Manifold-mounting connection: 151XXXXQ

#### Stroke limitation by distance bushing H

The extending piston stroke of block cylinders can be limited by installing a distance bushing. The minimum stroke should not be less than 1 mm. The maximum stroke possible based on the standard stroke is indicated in the below table.

Only without spring return!



#### Example: Possible stroke

Block cylinder 1515065  
Standard stroke 50 mm

#### As per table:

Hmin. = 1 mm  
Hmax. = 50 – 3 = 47 mm

Basic version	Dimensions									
	4 threads C, D			keyway E, F, Q				stroke limitation H		
Part no. (page 2 to 4)	M x depth	s	t	BH11	T	Ø g	h	Hmin.	Hmax.	
1511XXXX	M 6 x 9	40	22	8	2	6.5	30	1	standard stroke – 3	
1513XXXX	M 8 x 12	50	30	10	2	8.5	33	1	standard stroke – 3	
1514XXXX	M 10 x 15	55	35	12	3	10.5	38	1	standard stroke – 3	
1515XXXX	M 10 x 15	63	40	12	3	10.5	40	1	standard stroke – 3	
1516XXXX	M 12 x 18	76	45	15	5	13	44	1	standard stroke – 4	
1517XXXX	M 16 x 24	95	65	20	5	17	50	1	standard stroke – 4	
1518XXXX	M 20 x 30	120	80	24	7	21	60	1	standard stroke – 6	
1519XXXX	M 24 x 36	158	108	28	7	25	64	1	standard stroke – 6	

General tolerances as per DIN ISO 2768-mH

All dimensions in mm.

#### Examples for ordering:

##### 4 threads

Block cylinder 1517005 (pipe thread connection) with 4 threads M16 at the bottom side

**Part no. 1517005D**

Block cylinder 1517005B (manifold-mounting connection) with 4 threads M16 at the bottom side

**Part no. 1517005BD**

##### Keyway

Block cylinder 1517000 (pipe thread connection) with keyway and connecting thread at the left side

**Part no. 1517000F**

Block cylinder 1517000K (manifold-mounting connection) with keyway

**Part no. 1517000KQ**

##### Stroke limitation

Block cylinder 1517010 (pipe thread connection) with stroke limitation to 15 mm

**Part no. 1517010H15**

Block cylinder 1517010K (manifold-mounting connection) with keyway and stroke limitation to 15 mm

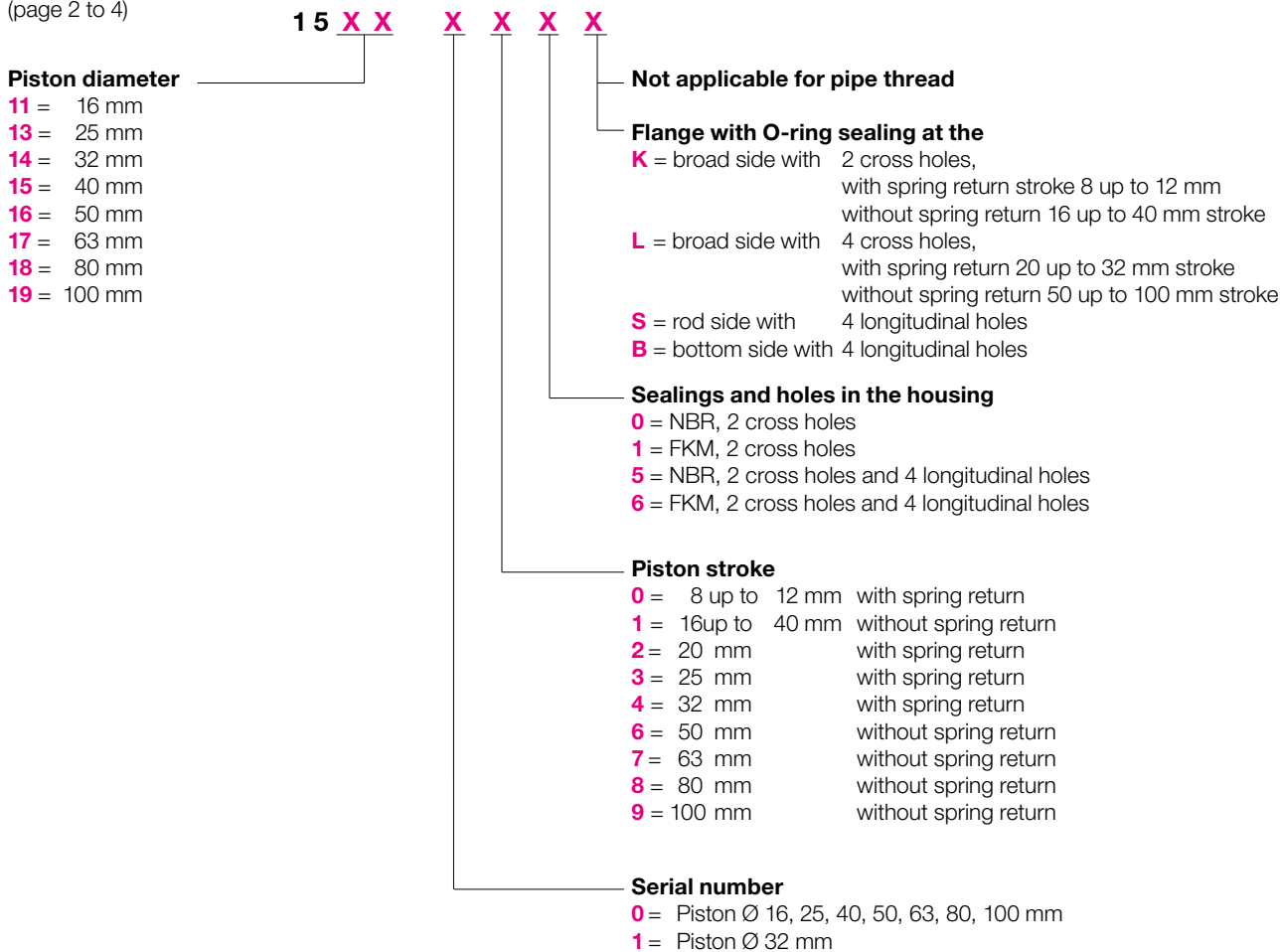
**Part no. 1517010KQH15**

Possible combinations of standard variants see page 6.

## Code for part numbers Accessories

### Code for part numbers of the basic versions\*

(page 2 to 4)



### \*) Important notes

The code for part numbers allows the **determination of technical data of a known part number.**

**The code for part numbers is not suitable for the selection of any variant.** Only the versions as per the charts on page 2 or 4 are available as standard elements.

**Special variants are available on request.**

### Code for part numbers of the standard variants and possible combinations

Explanation of the identification codes and order examples see page 5

